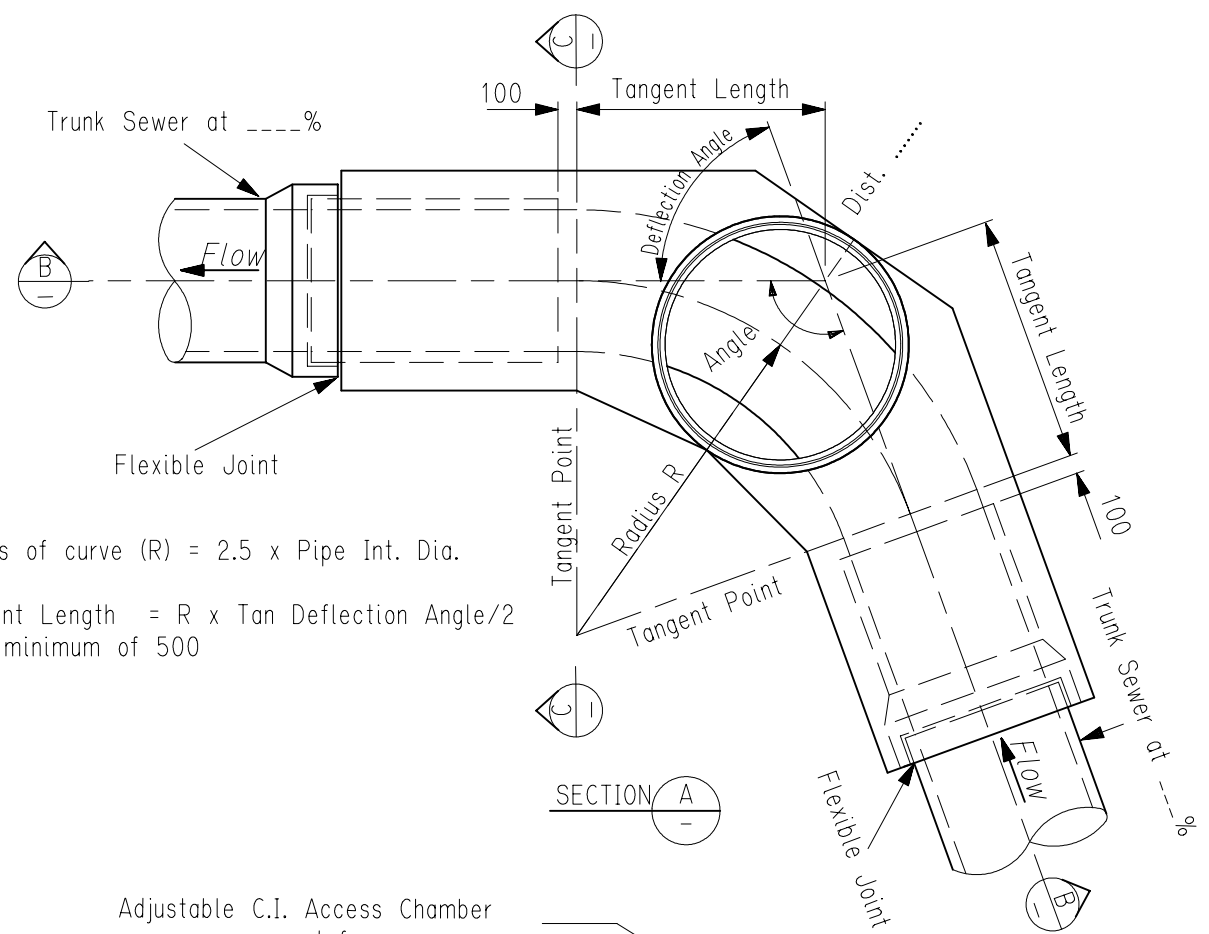
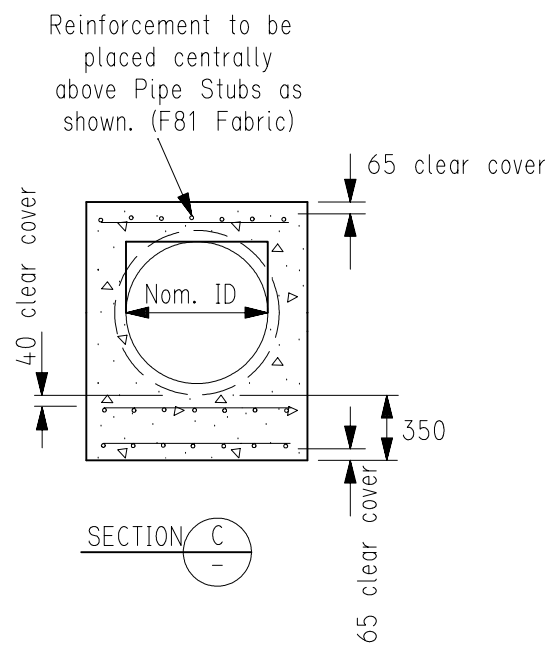


94-0167-13

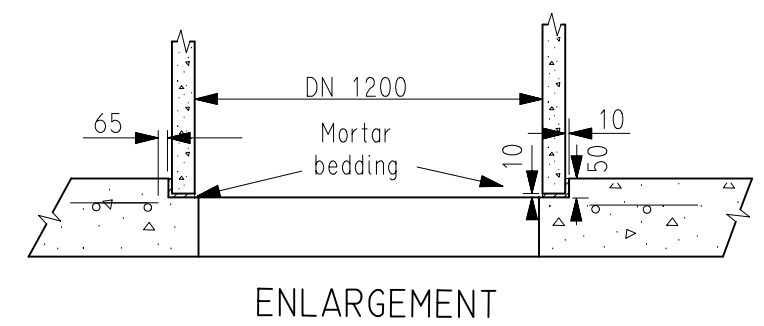
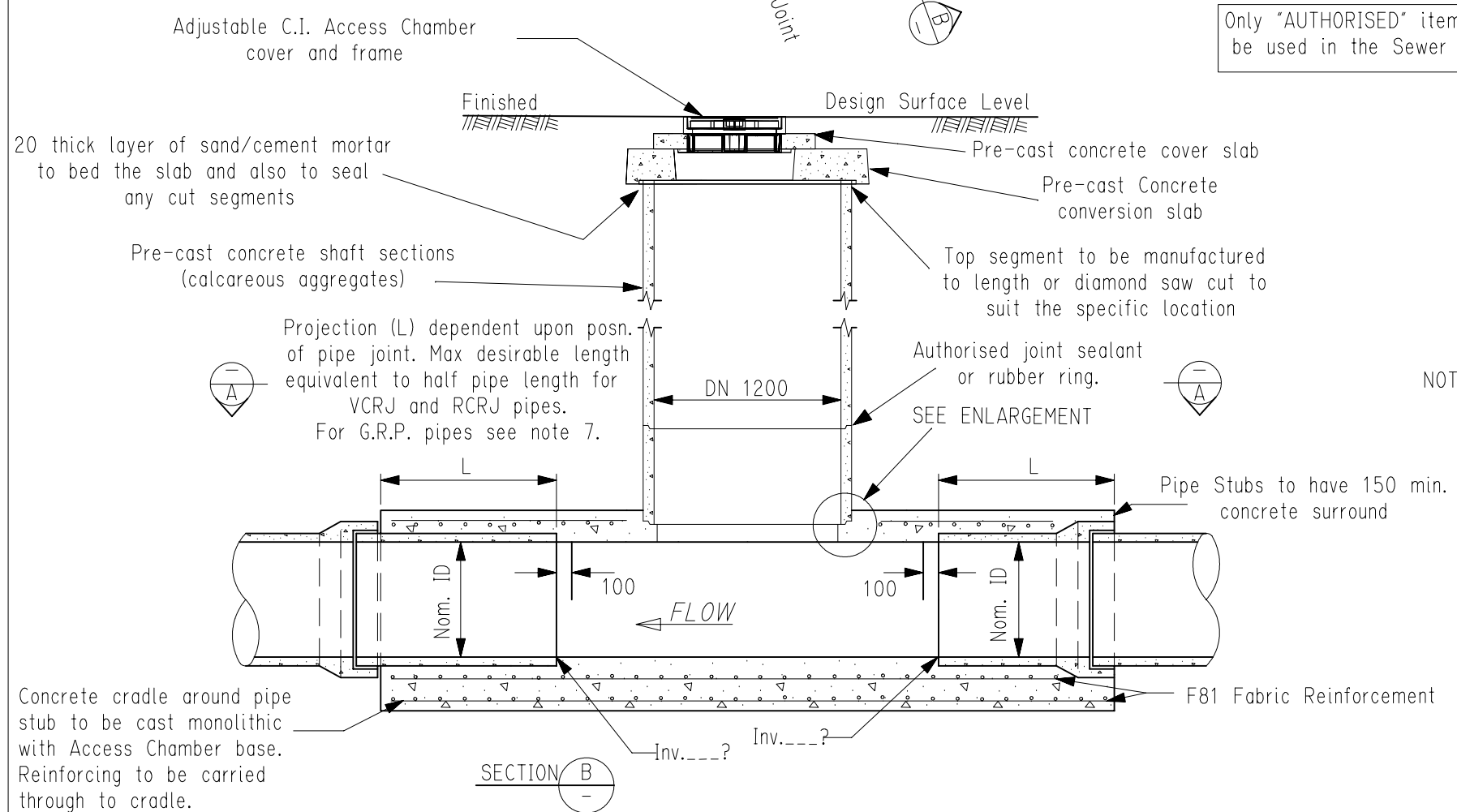
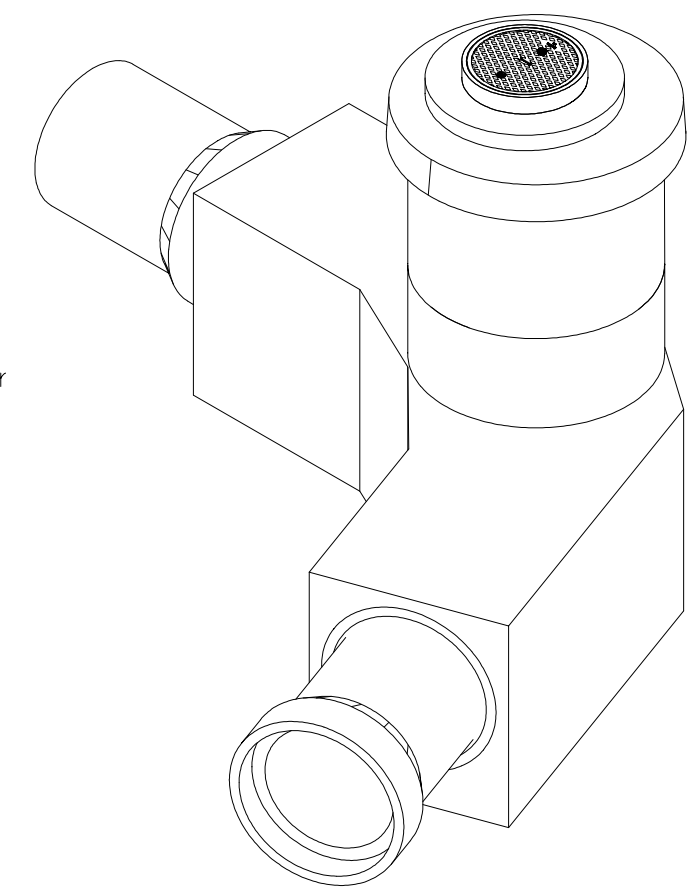
ISSUED 6 Jan 97



Radius of curve (R) = 2.5 x Pipe Int. Dia.
 Tangent Length = R x Tan Deflection Angle/2
 or a minimum of 500



Only "AUTHORISED" items shall be used in the Sewer System.



- NOTES
1. All dimensions in millimetres unless shown otherwise.
 2. Minimum clear cover to reinforcement to be 65 unless shown otherwise.
 3. Poured concrete cradle to be Grade N32, in accordance with AS1379, using calcareous aggregate and sand in accordance with DS 3 (c).
 4. All exposed internal off-form surfaces of access chamber to be Class 2 finish in accordance with AS 3610.
 5. Refer SCM page L1 for details of:
 - * PREPARATION OF FLOOR OF EXCAVATIONS
 - * SEWER EMBEDMENT AND TRENCH FILL
 - * BACKFILL AND REINSTATEMENT FOR ACCESS CHAMBERS
 6. Values shown ___? to be determined by the designing engineer and confirmed with the Superintendent's Representative before commencing construction.
 7. To facilitate pipe articulation at manholes in G.R.P. Trunk Sewers (HOBAS), install a pipe 'short.' (1000 to 1500 long) immediately upstream and downstream of manholes.
 For G.R.P. pipes, Projection L = 500

DB 94-0167 Plot 900tsmh

Chg	Amendment - UPDATED 12-6-96	Des	JIS	R.M.Jone Executive Manager 14 / 6 / 96 ENGINEERING GROUP
Drn		Drn	C.S.	
Ckd		Exm		
Unit Ldr.		Unit Ldr.		

SOUTH AUSTRALIAN WATER CORPORATION

SEWER CONSTRUCTION MANUAL PAGE L13
 TRUNK SEWER ACCESS CHAMBER
 FOR DN 675 AND 750 SEWERS

Not to Scale

© This drawing is the property of the South Australian Water Corporation and shall not be copied without permission.

94-0167-13