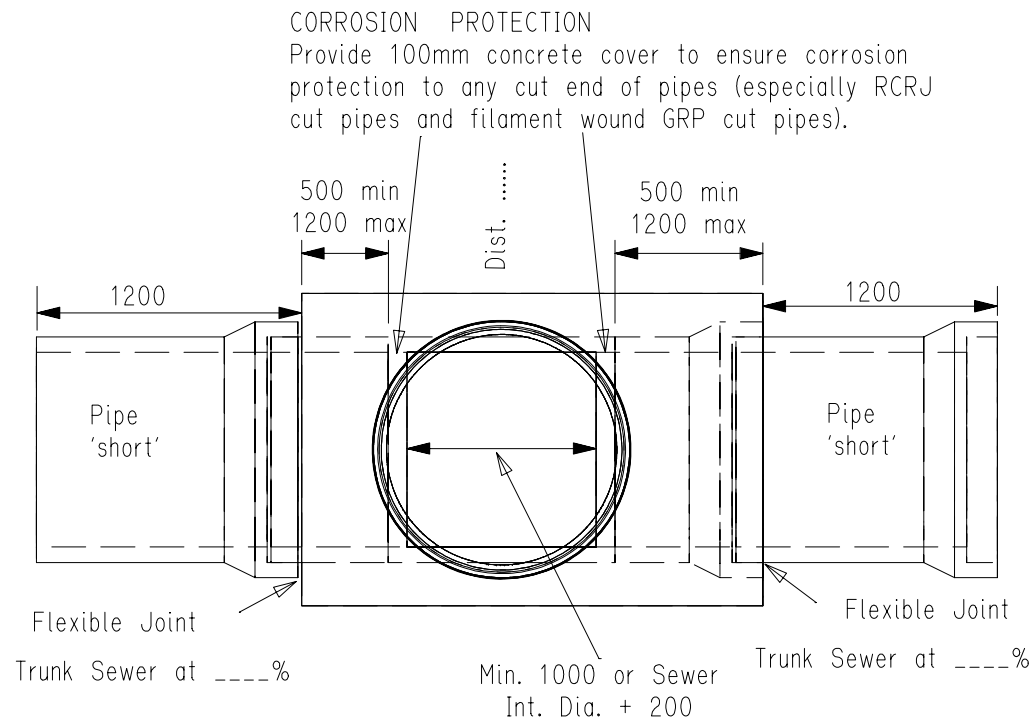
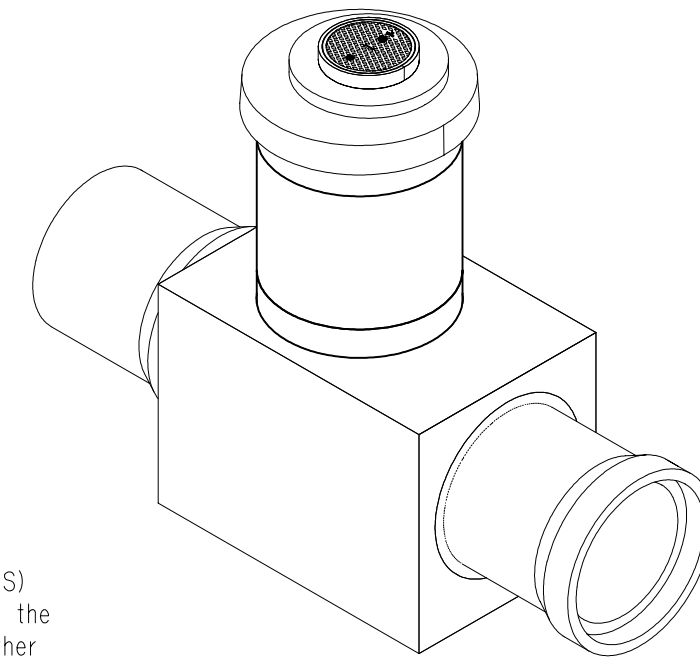


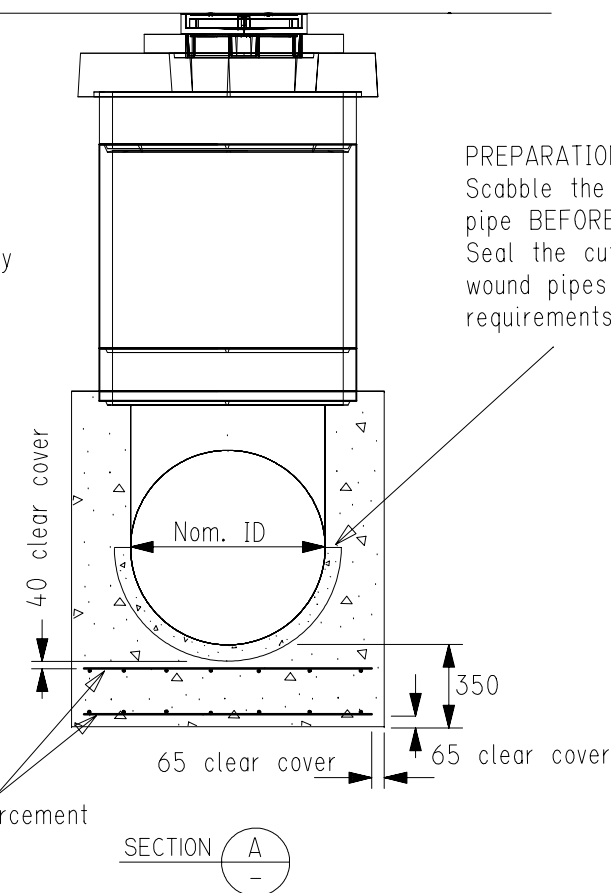
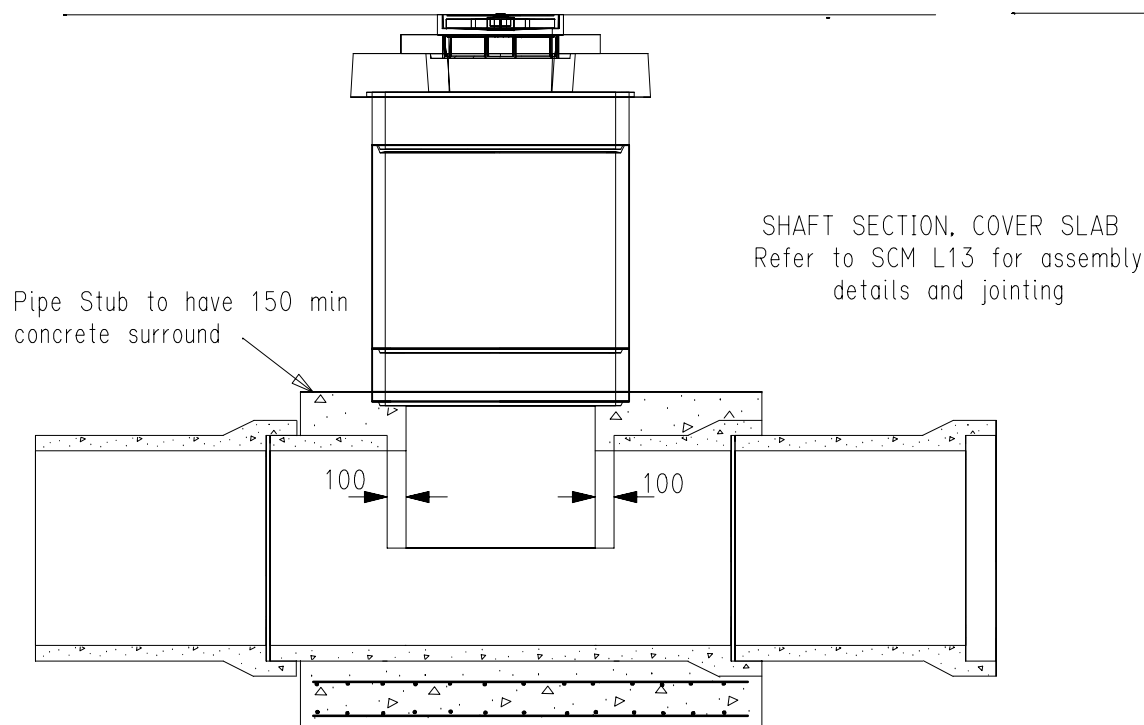
99-0115-01



**PIPE 'SHORTS'**  
It is essential that pipe 'shorts' be installed immediately upstream and downstream of all T/S Maintenance Holes to facilitate pipeline articulation at the interface with rigid Maintenance Hole structures.



**SHAFT (DN 1200 minimum, or DN 1500 for larger T/S)**  
It is critical that the Maintenance Hole shaft straddles the pipeline and is supported on the structural concrete either side of the pipeline, and does NOT transmit a 'punching' load directly on to the pipeline itself.



**PREPARATION OF CUT EDGES**  
Scabble the cut edges of concrete pipe BEFORE concreting OR Seal the cut edges of GRP filament wound pipes to the manufacturer's requirements BEFORE concreting.

Only "AUTHORISED" items shall be used in the Sewer System.

Alternative pipe materials and other variations may be approved by SA Water, providing the concepts and principles depicted in this drawing are maintained

**CONSTRUCTION NOTES**  
Notes 1 to 6 inclusive as detailed on standard drawing SCM L13 apply.

Chg	Amendment -	Des	JIS	
Drn		Drn	C.S.	
Ckd		Exm		
Unit Ldr.		Unit Ldr.		

R.M.Jones  
Chief Engineer 4 / 6 / 99  
ENGINEERING & PROJECTS

**SOUTH AUSTRALIAN WATER CORPORATION**

**SA WATER**

SEWER CONSTRUCTION MANUAL PAGE L13B  
TRUNK SEWER MAINTENANCE HOLE  
FOR DN 450 AND LARGER SEWERS  
STRAIGHT 'THROUGH' ONLY

© This drawing is the property of the South Australian Water Corporation and shall not be copied without permission.

99-0115-01