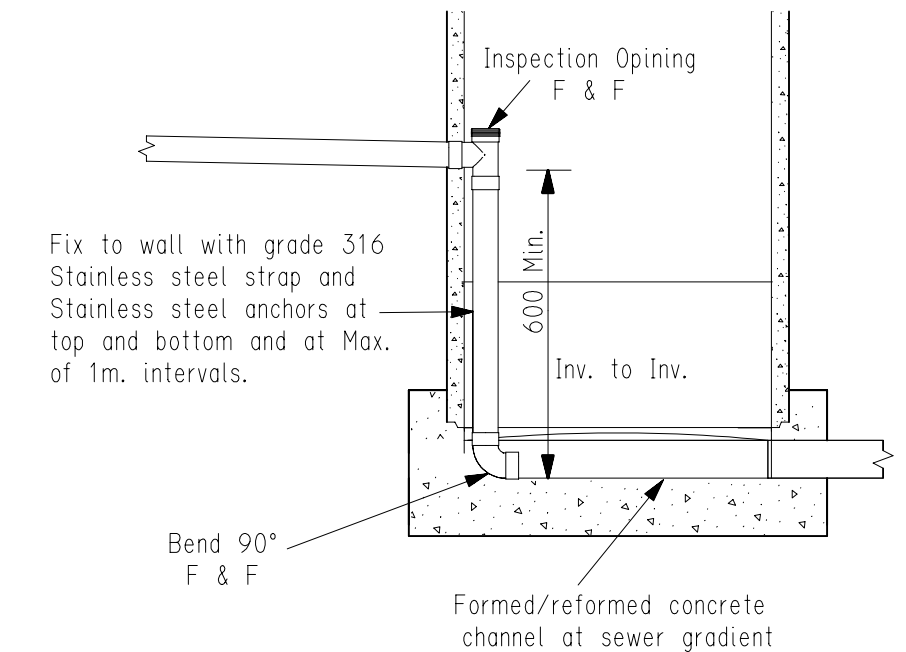
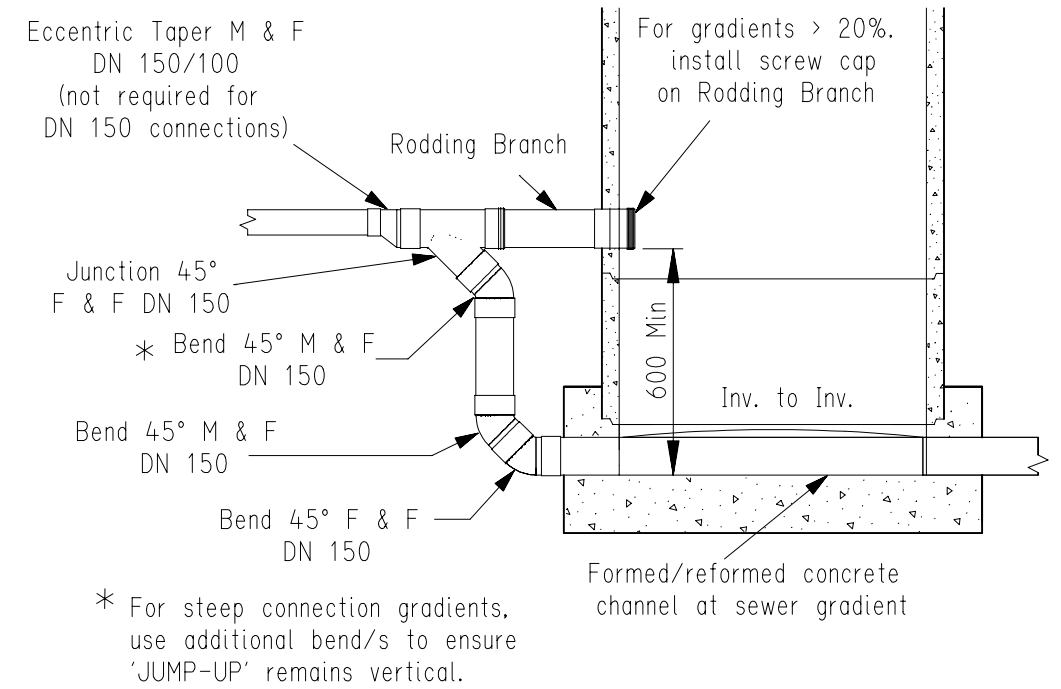
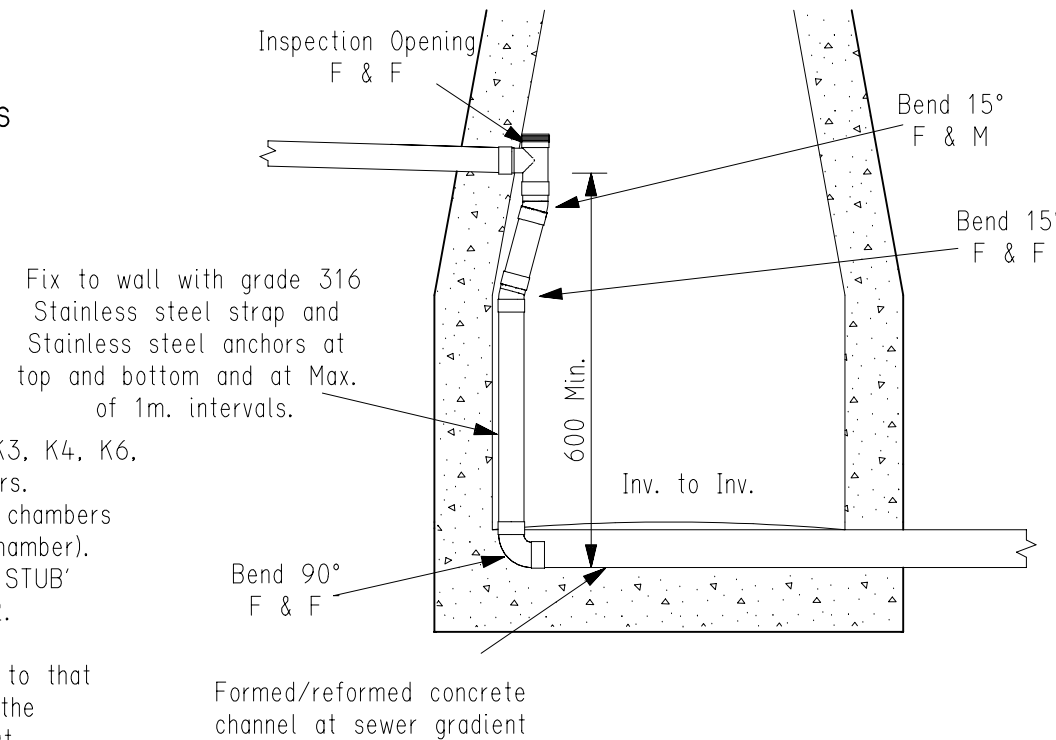
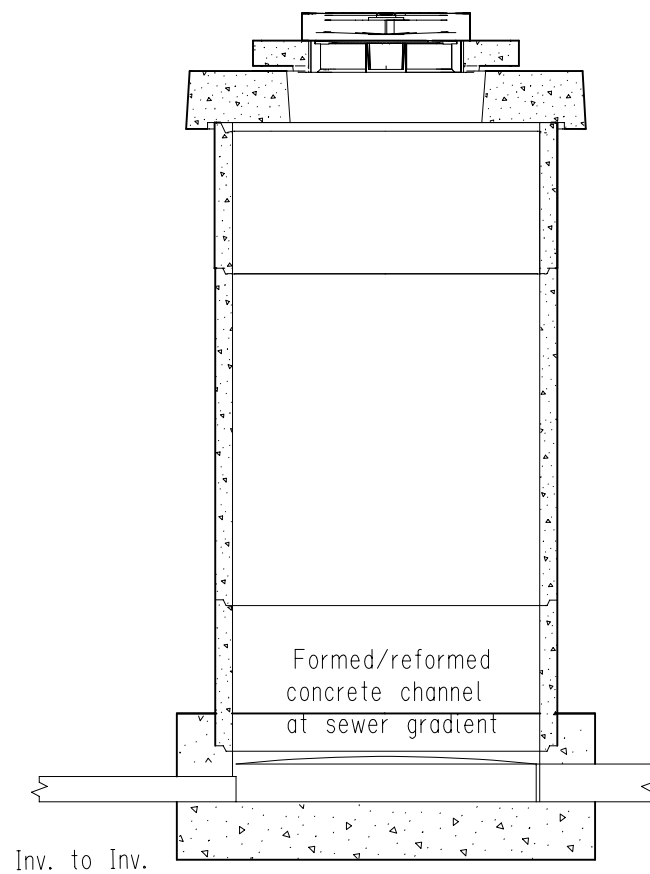


Only "AUTHORISED" items shall be used in the Sewer System.

NOTES:

1. The various connection types shown on SCM pages K3, K4, K6, K8 and K9 can be constructed into access chambers.
2. Internal jump-ups can be constructed inside access chambers of 1200 Int. Dia. and larger (Maximum of 2 per chamber).
3. For poured insitu structures, the 'PREPARATION OF STUB' shall be similar to that detailed on SCM page K12.
4. For existing or pre-cast structures:
 - penetrations shall be cored in a similar manner to that detailed on SCM page K12 ('CORED HOLE'), and the
 - 'INSTALLATION OF STUB' shall be similar to that detailed on SCM page K12.
5. Details of the connection channel/s and benching within access chamber shall be similar to that for sewers as detailed in SCM Section 'L'.



PIPE MATERIALS
 Details on this drawing are applicable to connections off UPVC sewers using:-
 # approved UPVC plain wall pipes with solvent cement joints, and
 # approved UPVC ribbed pipes fitted with dual rubber rings at each joint.

| | | | | | |
|-----------|------|-----------------------------------|-----------|------|-------------------------------|
| Chg | A | Amendment - 13-6-96 | Des | JIS | Amendment Authorisation |
| Drn | C.S. | 1. Title Block amended | Drn | C.S. | R.M.Jones |
| Ckd | | 2. Pipework amended within A.C.'s | Exm | | Executive Manager 14 / 6 / 96 |
| Unit Ldr. | | | Unit Ldr. | | ENGINEERING GROUP |

SOUTH AUSTRALIAN WATER CORPORATION

SEWER CONSTRUCTION MANUAL PAGE K10
DN 100 & 150 UPVC
CONNECTIONS 'AHEAD' INTO
ACCESS CHAMBERS
WITH OR WITHOUT LARGE JUMP-UP

Not to Scale

94-0164-10A

© This drawing is the property of the South Australian Water Corporation and shall not be copied without permission.