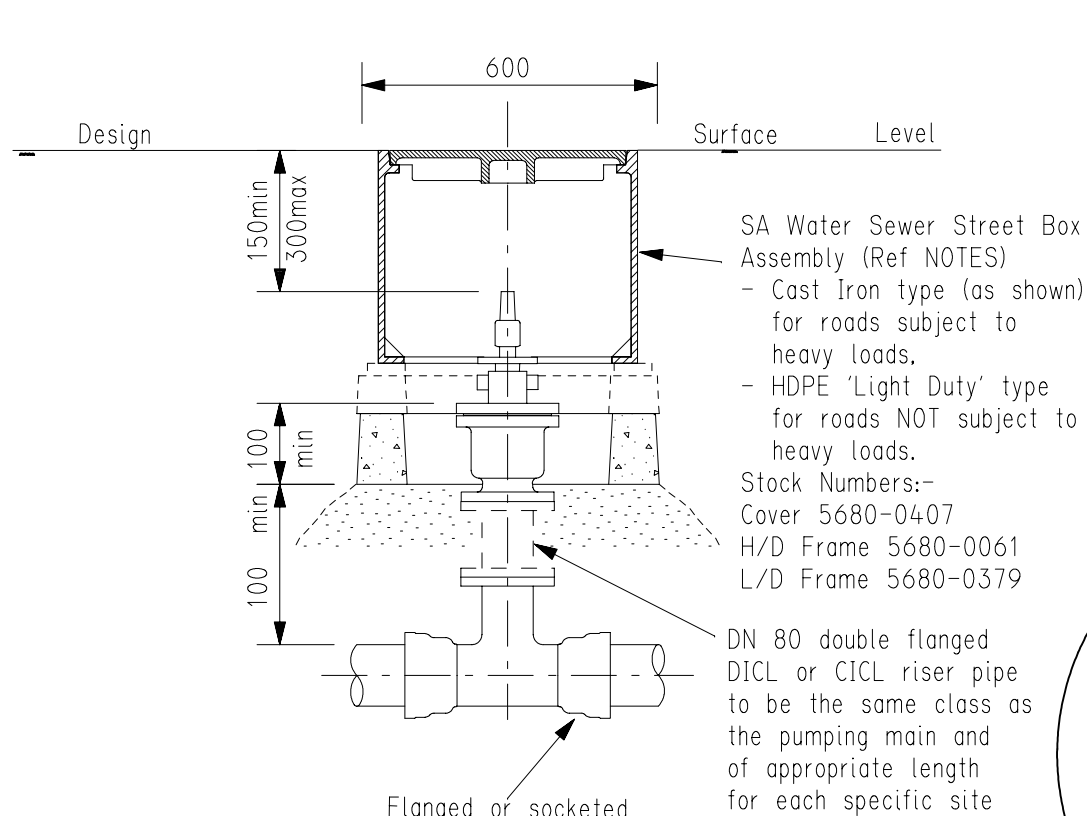


94-0163-18

ISSUED 6 Jan 97

DB 94-0163 Plot AirValve



DN 80 SEWER AIR RELIEF VALVE

Applicable to the following pumping main sizes:-

Main Line	90 Branch
----- *	-----
Flanged or Socketed	Flanged
DN 100	DN 80
DN 150	DN 80
DN 200	DN 80
DN 250	DN 80

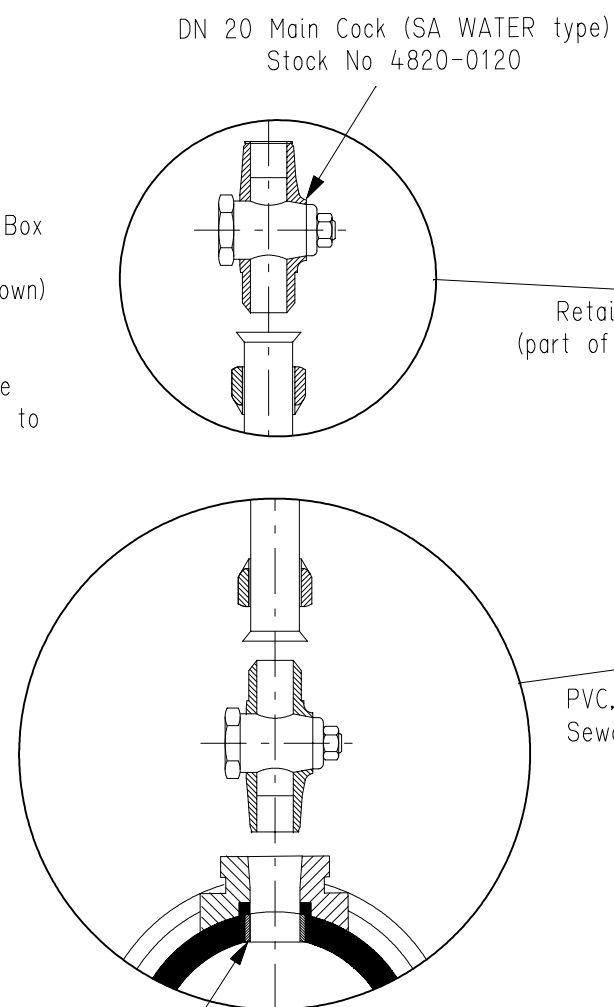
* Only PVC (Series 2) and DICL pipes are compatible with the above sizes of socketed fittings.

Install:-

1. At high points along the sewage pumping main (changes from rising to falling gradients).
2. Adjacent to each in-line stop valve on sewage pumping mains as detailed vide SCM page M16.

DICL mains SHALL have a Plastic BSP 1" Nipple screwed into main and trimmed to the outer surface of pipe (for corrosion protection).

Only "AUTHORISED" items shall be used in the Sewer System.



DN 20 SEWER AIR RELIEF VALVE

Applicable to the following pumping main sizes:-

- . all mains up to DN 80 (inclusive)
- . for short lengths of DN 100 main (less than 30m long).

Install at high points along the sewage pumping main.

NOTES:

- . Install a Sewer Air Valve Indicator Sign and Post for each site as detailed on SCM page M19.
- . General assembly details of Sewer Street Box Assembly and Concrete Spacers is similar to that shown on WSCM pages C9 and C10.
- . Provide corrosion protection for fittings as detailed in Section 5 of SA Water "Standard Specification for Construction of Sewerage Systems". DS11(b).
- . For details of available fittings, refer to SA Water catalogues of "Authorised Items for Sewer Systems" and/or "Authorised Items for Water Supply Reticulation Systems".

Chg	Amendment - 9-1-97	Des	JIS		R.M.Jones Executive Manager 16 / 1 / 97 ENGINEERING GROUP
Drn		Drn	CLS		
Ckd		Exm			
Unit Ldr.		Unit Ldr.			

SOUTH AUSTRALIAN WATER CORPORATION

SEWER CONSTRUCTION MANUAL PAGE M18
AIR RELIEF VALVES
FOR SEWAGE PUMPING MAINS

not to scale

© This drawing is the property of the South Australian Water Corporation and shall not be copied without permission.

94-0163-18