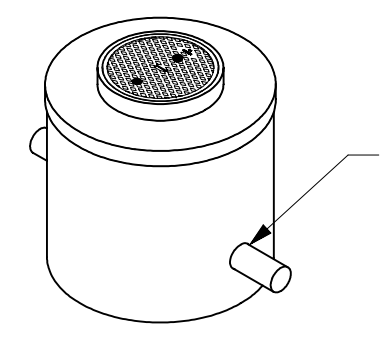


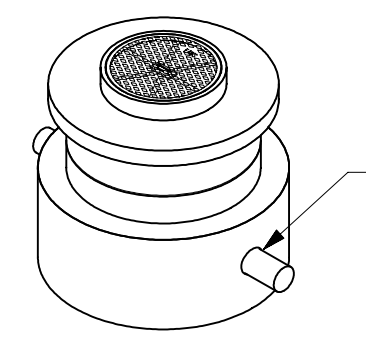
94-0167-04

ISSUED 6 Jan 97

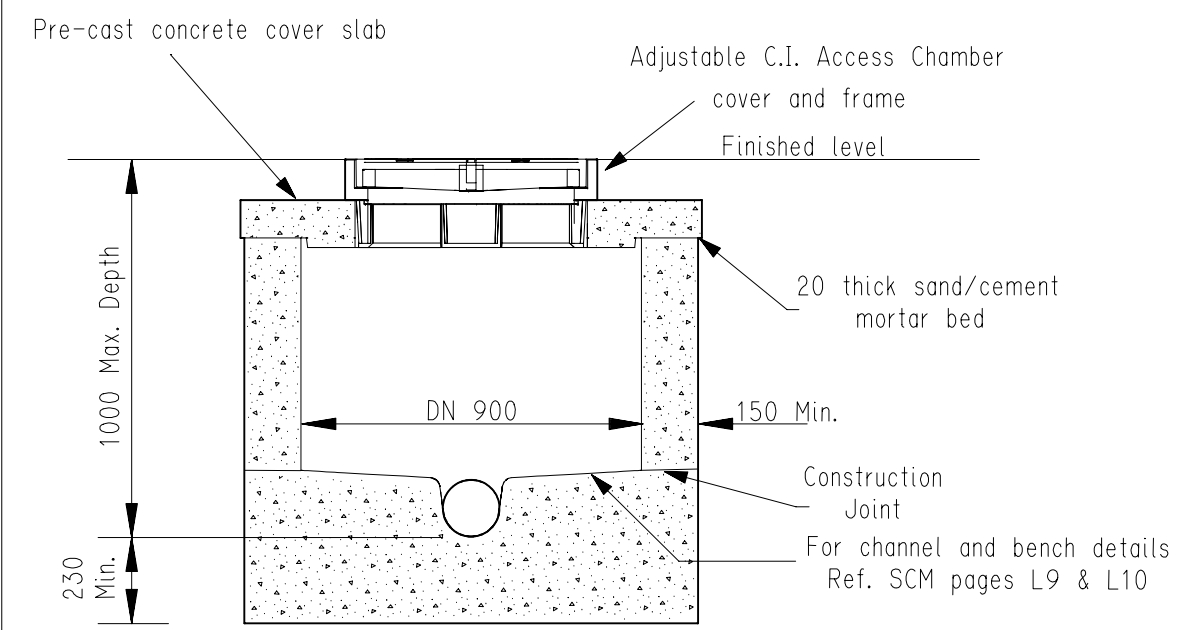
DB 94-0167 Plot 04a



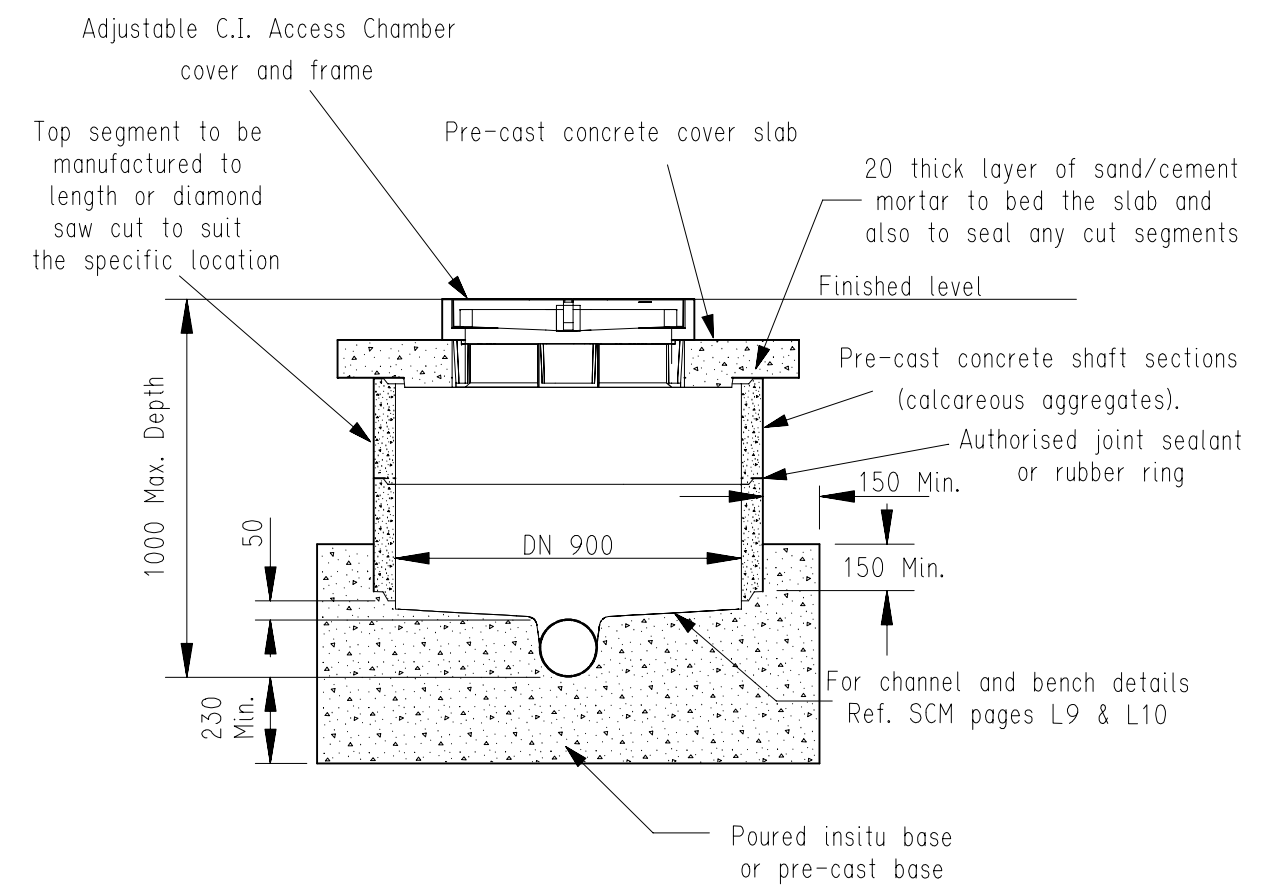
Preparation of UPVC stub for 'building-in' shall be similar to that detailed in SCM page K12.



Preparation of UPVC stub for 'building-in' shall be similar to that detailed in SCM page K12.



POURED INSITU ACCESS CHAMBER
(with precast concrete cover)



COMPOSITE ACCESS CHAMBER

- . Poured insitu base
- . Pre-cast concrete shaft sections
- . Pre-cast concrete cover slab

Only "AUTHORISED" items shall be used in the Sewer System.

- Refer SCM page L1 for details of:
- * PREPARATION OF FLOOR OF EXCAVATIONS
 - * SEWER EMBEDMENT AND TRENCH FILL
 - * BACKFILL AND REINSTATEMENT FOR ACCESS CHAMBERS
 - * CONCRETE

Chg	Amendment - UPDATED 12-6-96	Des	JIS	R.M.Jones Executive Manager 14 /6 /96 ENGINEERING GROUP
Drn		Drn	C.S.	
Ckd		Exm		
Unit Ldr.		Unit Ldr.		

SOUTH AUSTRALIAN WATER CORPORATION



SEWER CONSTRUCTION MANUAL PAGE L4
TYPICAL CONSTRUCTION DETAILS FOR
900 ID ACCESS CHAMBER

Not to Scale

© This drawing is the property of the South Australian Water Corporation and shall not be copied without permission.

94-0167-04