

Plumbing Solutions – edition 5

Expansion Joints, Fixed Points & Bracketing

This Plumbing Solution provides information required to correctly install expansion joints and bracketing to above ground PVC sanitary plumbing systems. Installations must comply with AS/NZS3500 Plumbing and drainage standard and AS/NZS2032:2006 Installation of PVC pipe systems.

Location of Expansion Joints and Fixed Points

General - The location of expansion joints and fixed points are as follows:

- (a) Expansion joints are to be fitted in cold pipelines at maximum spacing of 6 metres, and in hot pipelines 4 metres.
- (b) Fixed points without an expansion joint should not exceed 2 metres for cold pipelines, and 1 metre for hot pipelines.

Definitions *Cold pipelines* – pipelines located within buildings and not subject to pipe material temperatures in excess of 60°C.

Hot pipelines – pipelines used for conveying hot discharges or located external to buildings in direct sunlight or in roof spaces so that the pipe material temperature is in excess of 60°C.

Fixed Point – a point at which movement of the pipe is restricted:

- (a) at a junction or bend.
- (b) at the fixed part of an expansion joint.

Expansion Joints in Vertical Stacks -

- (a) immediately above each floor level.
- (b) at the base of the stack.

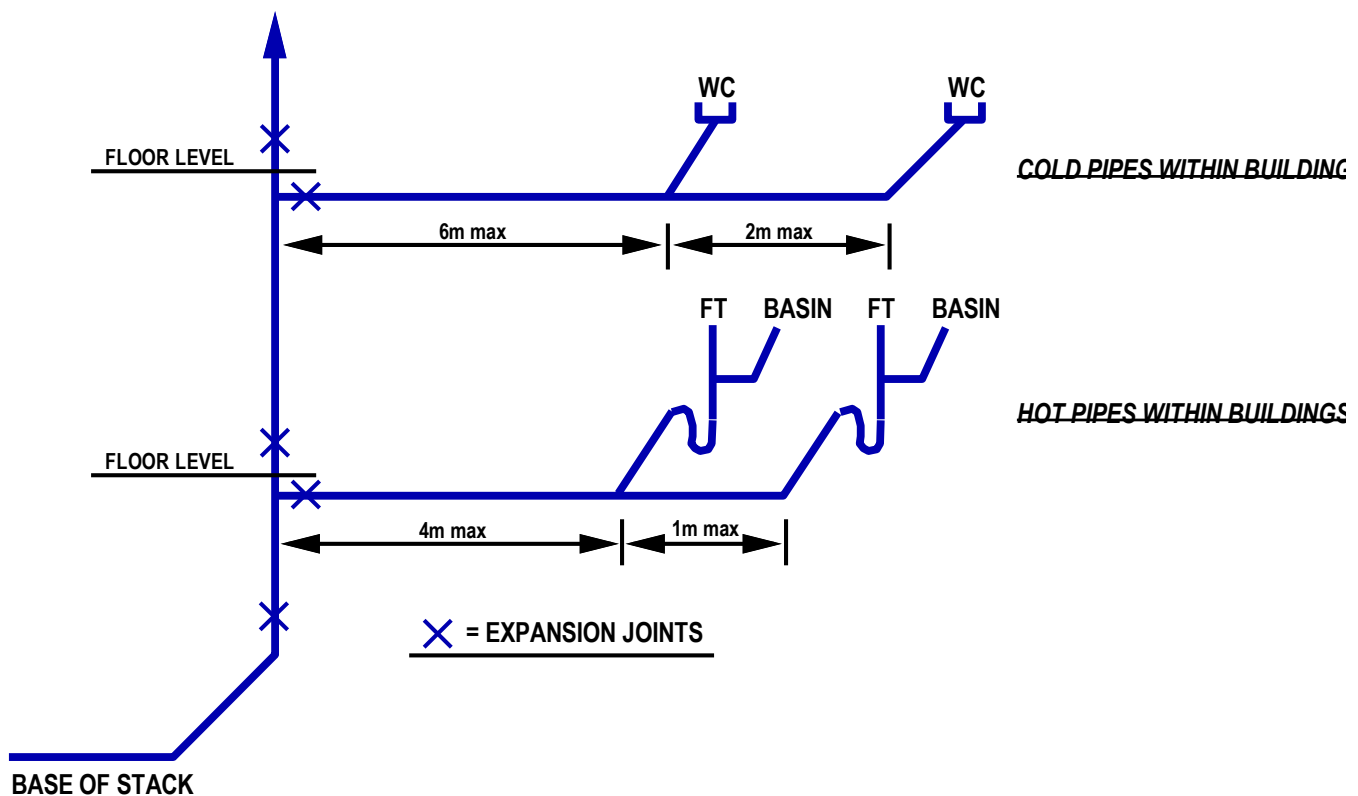
Expansion Joints in Graded Pipelines –

- (a) immediately upstream of the entry to a vertical stack.
- (b) immediately upstream of each change of direction in the graded section.

MAXIMUM SPACING OF BRACKETS CLIPS AND HANGERS

Pipework Material	Vertical Pipes	Graded Pipes
PVC 40-50mm	2 metres	1 metre
PVC 65-100mm	2.5 metres	1.2 metres

TECHNICAL SOLUTION FOR EXPANSION JOINTS
AS PER
AS/NZS2032:2006



If you have any questions about expansion joints, fixed points or bracketing or the AS/NZS 3500 Plumbing and Drainage Standards or alternatively, if you would like copies of this or various editions of Plumbing Solutions, please contact Plumbooking on (08) 7424 1360 or email plumbooking@sawater.com.au

We welcome your feedback. If you have any comments about Plumbing Solutions, or wish to suggest some topics to be covered in future editions please send us an email to plumbooking@sawater.com.au