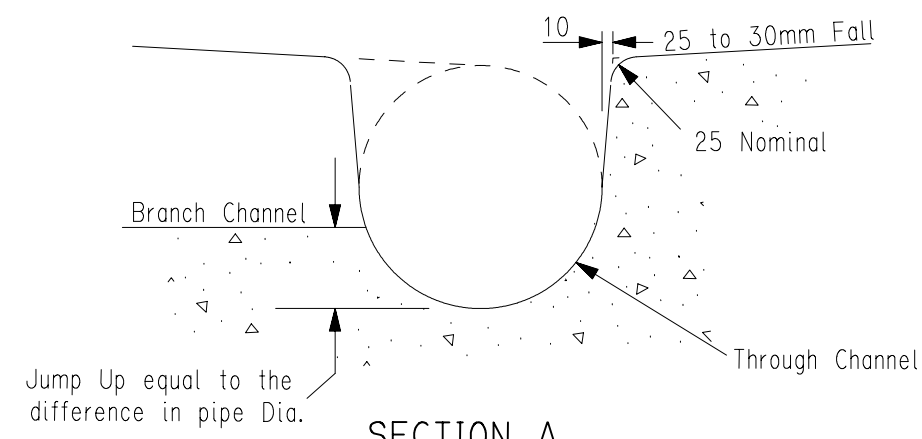
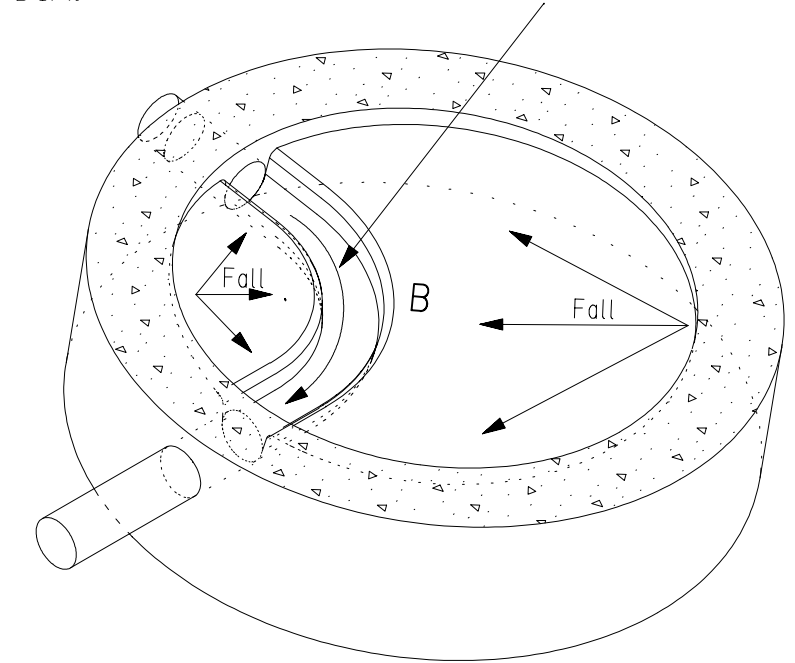


TYPICAL BRANCH CHANNEL

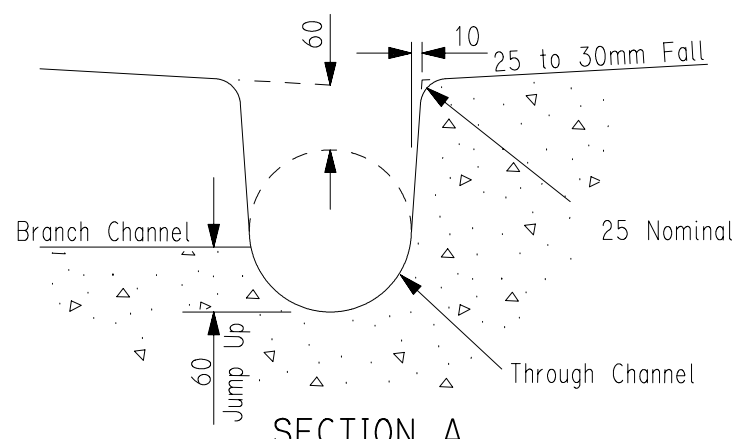


SECTION A
JUNCTION BETWEEN SEWERS OF DIFFERENT DIA.
(PIPES LAID TOP TO TOP.)

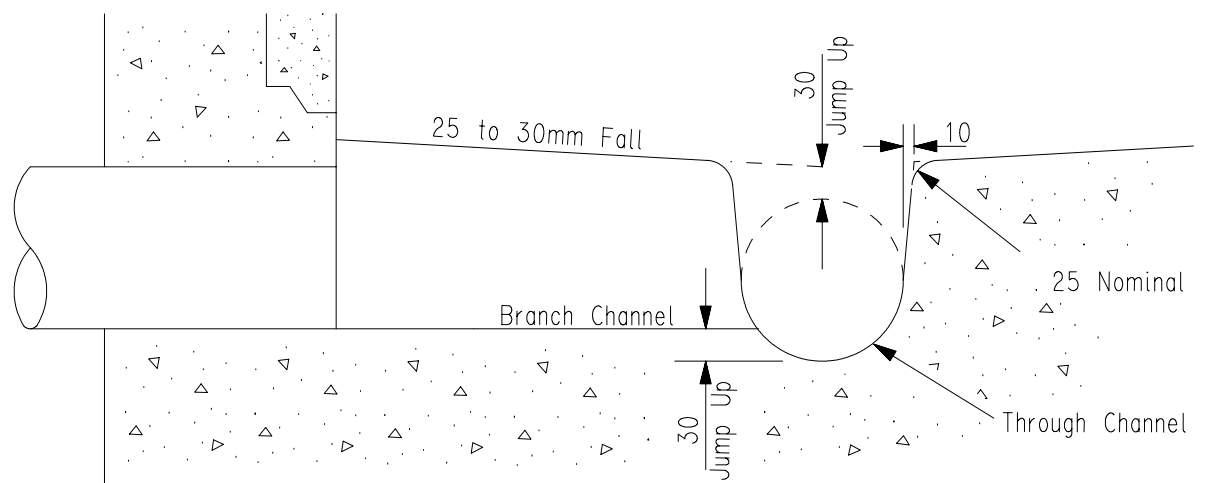
Additional fall around the bend
30mm for deflections between 45° and 90° incl
60mm for deflections between 90° and 135° incl



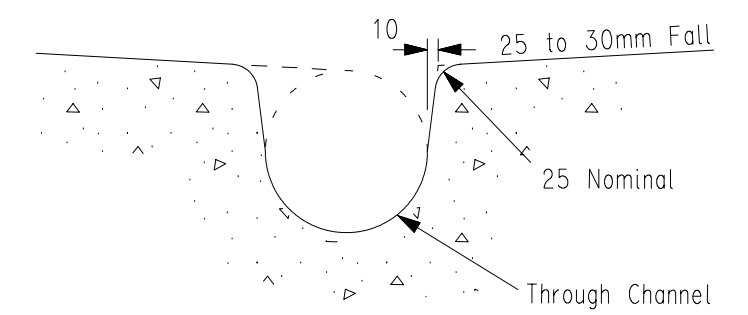
TYPICAL BEND CHANNEL



SECTION A
JUNCTION BETWEEN SEWERS OF EQUAL DIA.
(BRANCH DEFLECTION GREATER THAN 90°)



SECTION A
JUNCTION BETWEEN SEWERS OF EQUAL DIAMETER
(BRANCH DEFLECTION BETWEEN 45° AND 90°)



SECTION B

- NOTES:
- Radius of Curvature to the inside wall of the bend shall be equal to the pipe diameter for that particular bend/branch.
 - 'Jump-ups' and additional fall around bends are applicable to 150 and 225 sewers ONLY.

94-0167-09

ISSUED 6 Jan 97

BD 94-0167 Plot 10L

Chg	Amendment - UPDATED 12-6-96	Des	JIS	
Drn		Drn	C.S.	
Ckd		Exm		
Unit Ldr.		Unit Ldr.		

R.M.Jones
Executive Manager 14 / 6 / 96
ENGINEERING GROUP

SOUTH AUSTRALIAN WATER CORPORATION

SA WATER

SEWER CONSTRUCTION MANUAL PAGE L9
BENCH AND CHANNEL DETAILS IN
ACCESS CHAMBERS FOR SEWERS
UP TO DN 600

Not to Scale

© This drawing is the property of the South Australian Water Corporation and shall not be copied without permission.

94-0167-09