

Plumbing Solutions – edition 6

Air Admittance Valves (AAV'S)

Air Admittance Valves (AAV'S) to be installed must be of an approved type and comply with product standard AS/NZS 4936. They may come as a single unit or be formed as an integral part of a fixture trap.

1. Location:

AAV'S must be located so that:

- they are accessible for service and replacement.
- adequate air can enter the valve.
- when installed within a wall space ventilation openings are provided.
- when installed in a ceiling space the AAV should be 150mm above the ceiling to clear any insulation.

2. Installation:

When installing AAV'S the valve shall be:

- connected in accordance with the manufacturers instructions.
- no more than 1000mm below the fixture flood level of the fixture it is connected to.
- installed within 5% of a vertical position.
- installed in areas where the ambient temperature or water discharge may vary between 0°C and 60°C.
- connected to a fixture discharge pipe for a trap vent (Fig 1) or a fixture discharge pipe or common discharge pipe for a group vent (Fig 2) or to a discharge stack as a stack vent (Fig 3).
- protected from insect attack, ultra violet rays and mechanical damage.
- only installed as a stack vent where the stack extends through less than 10 floor levels.

3. Restrictions:

AAV'S must only be used on sanitary plumbing systems that have at least one open air vent on the drain.

4. Permitted Use:

- as a trap vent in:
 - (a) the fully vented system of plumbing
 - (b) the single stack system of plumbing
- as a group vent in:
 - (a) the fully vented modified system of plumbing
- as a stack vent in any system of plumbing
- as a branch drain vent.

FIG (1) AS A TRAP VENT

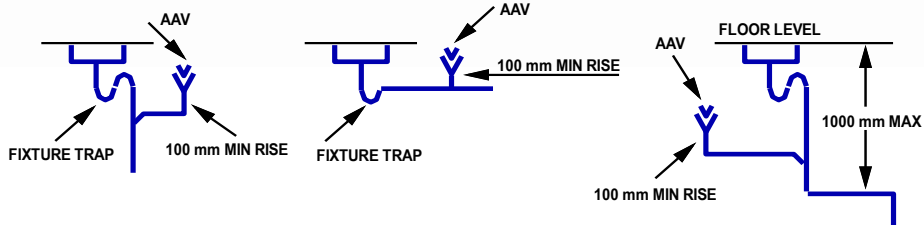


FIG (2) AS A GROUP VENT

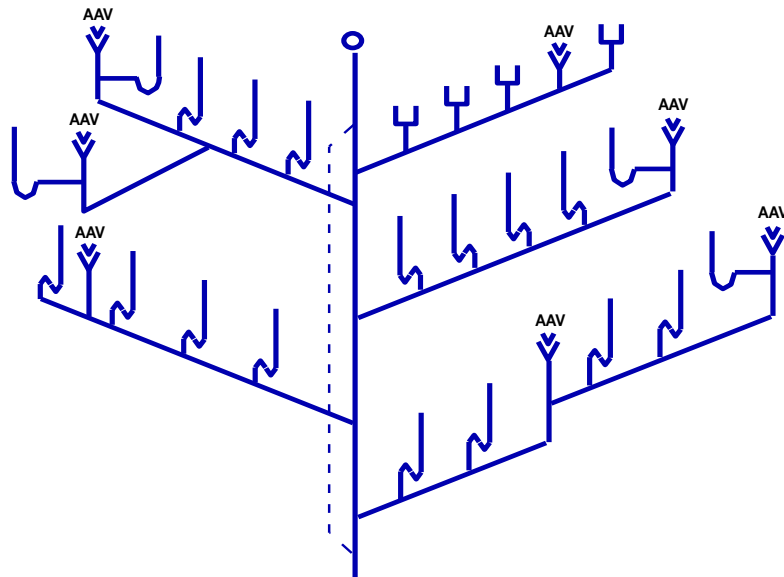
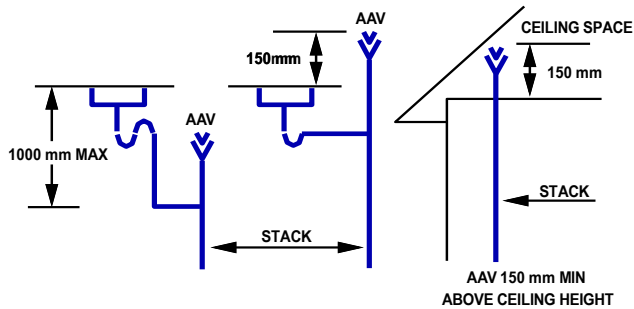


FIG (3) AS A STACK VENT



If you have any questions about air admittance valves or the AS/NZS 3500 Plumbing and Drainage Standards or alternatively, if you would like copies of this or various editions of Plumbing Solutions, please contact Plumbooking on (08) 7424 1360 or email plumbooking@sawater.com.au

We welcome your feedback. If you have any comments about Plumbing Solutions, or wish to suggest some topics to be covered in future editions please send us an email to plumbooking@sawater.com.au