

OPTIONS * IO or AC for DN 150 and 225 branch sewers
 * AC for DN 300 and 375 branch sewers

Minimum dimension to facilitate access for maintenance equipment.

WATER SEALS

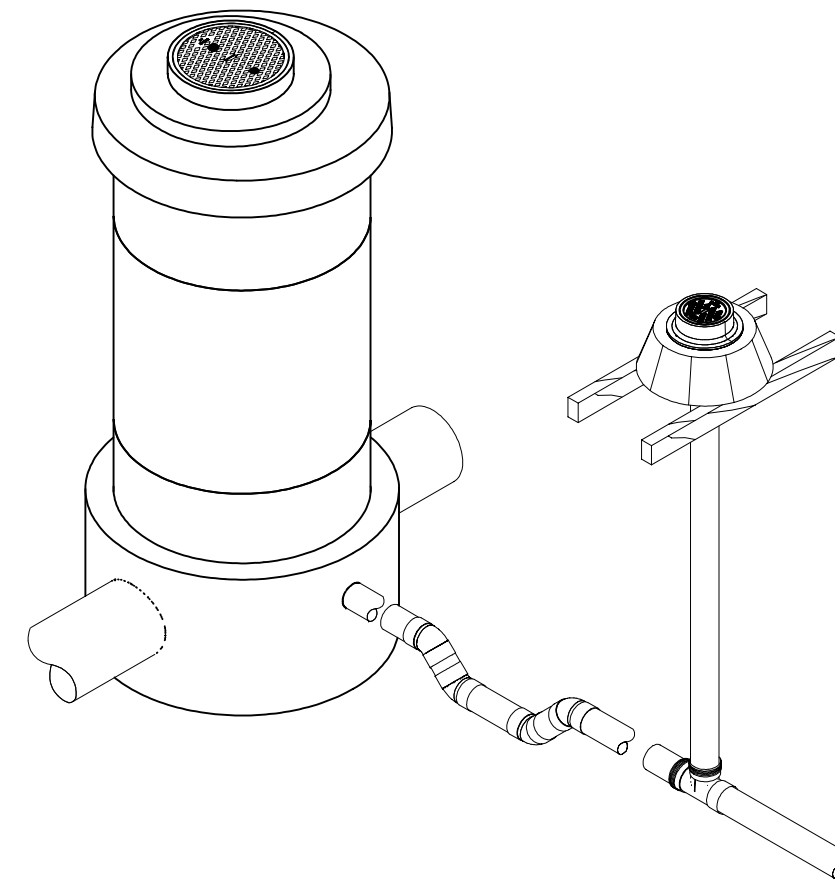
- * Water seals shall be constructed on all branch sewers up to and including 375 diameter, which flow into trunk sewers 450 diameter and larger.
- * Water seals are to be laid at the gradient of the branch sewer and with the outlet 75 lower than the inlet.
- * Optimum water seal depth shall be Pipe Dia + 50, for all pipe diameters.
- * Water seals can be factory fabricated from pipe sections (to the configuration shown), particularly where the use of standard bends results in the optimum water seal depth being exceeded.
- * Embedment and Trench Fill for water seals shall be similar to that for sewers as detailed in SCM Section 'G'.

JUNCTION OF SEWERS

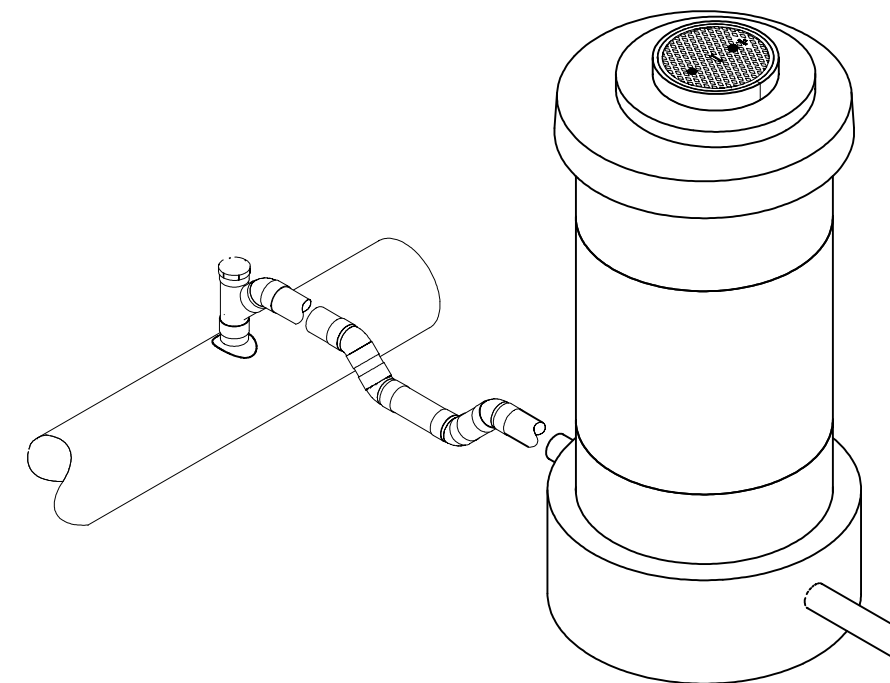
- * For branch sewers up to and including 300 diameter, the junction of sewers shall be constructed 'Top to Top'. (In special circumstances, and depending on sewage flows, the Superintendent's Representative may direct that the junction be constructed 'Flow-line to Flow-line').
- * For branch sewers larger than 300 diameter, the junction of sewers shall be constructed 'Flow-line to Flow-line'.

PIPE MATERIALS

- The Water Seal configuration is applicable to sewers using:-
- * approved UPVC plain wall pipes with solvent cement joints.
 - * approved UPVC ribbed pipes fitted with dual rubber rings at each joint.
 - * other approved pipe materials (eg Vitreous Clay and Concrete pipes).



Only "AUTHORISED" items shall be used in the Sewer System.



REFERENCES

SCM Section 'M' for Access Chambers and Inspection Openings

Chg	Amendment - 13-6-96	Des	JIS	R.M.Jones Executive Manager 14 / 6 / 96 ENGINEERING GROUP
Drn		Drn	CLS	
Ckd		Exm		
Unit Ldr.		Unit Ldr.		

SOUTH AUSTRALIAN WATER CORPORATION



**SEWER CONSTRUCTION MANUAL PAGE H1
 WATER SEALS IN BRANCH SEWERS**

not to scale

© This drawing is the property of the South Australian Water Corporation and shall not be copied without permission.