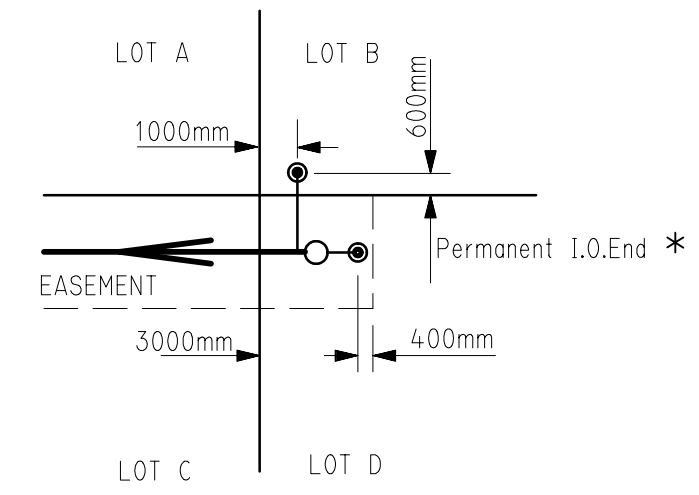
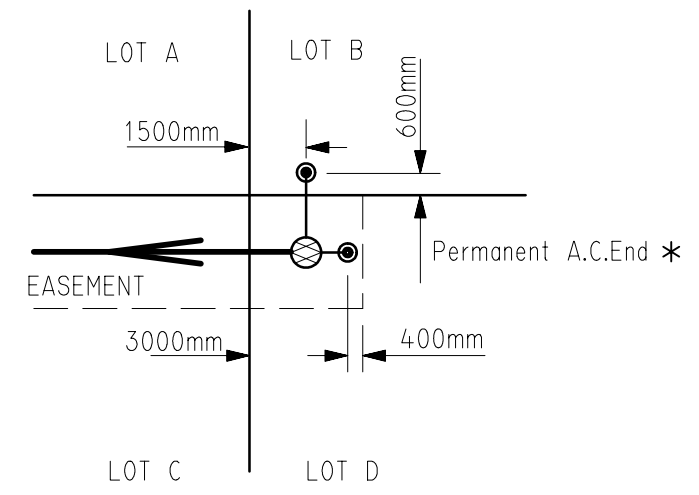
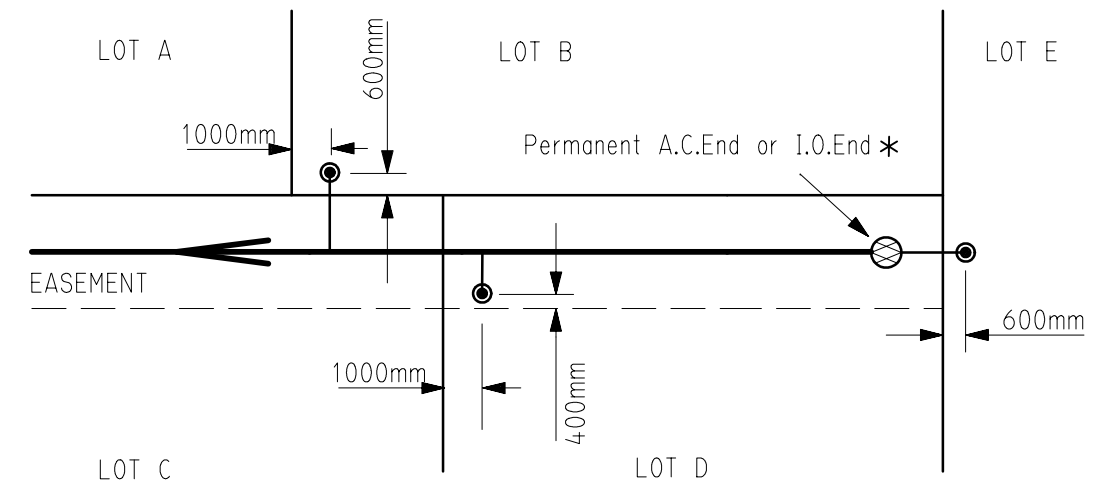
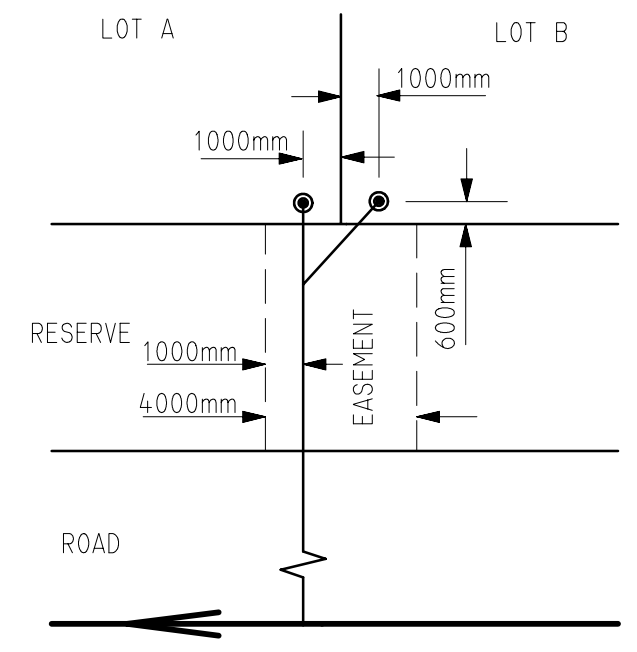
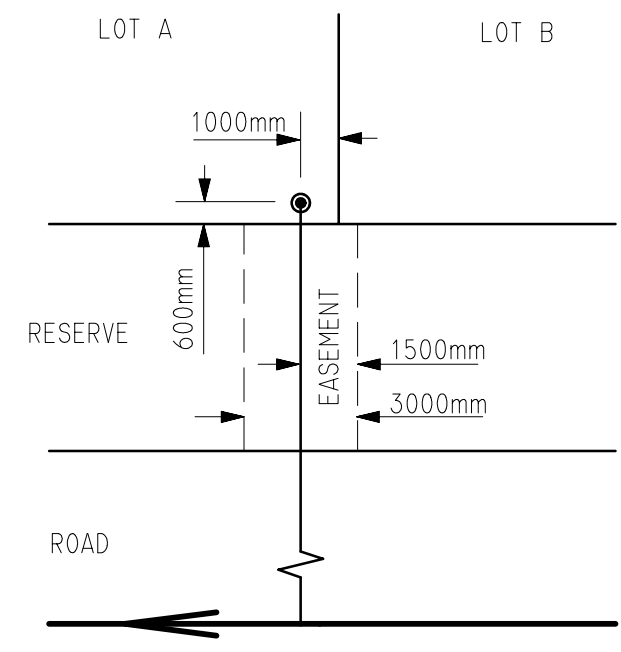
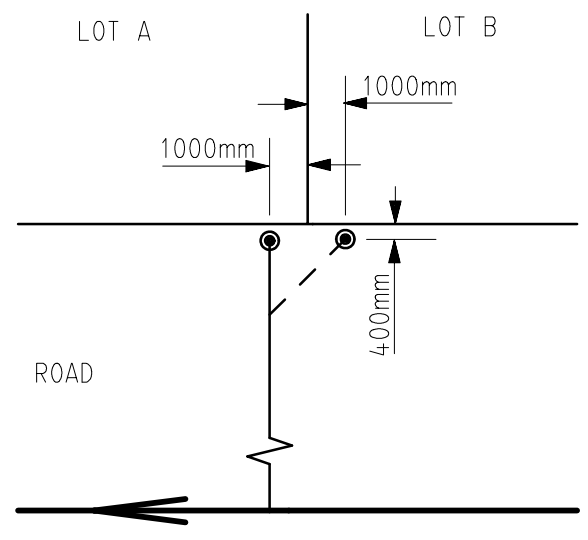


94-0164-01A

ISSUED 6 Jan 97



Note
For siting of A.C.'s and I.O.'s.
Ref. SCM Section 'L'.

* At temporary A.C./I.O.Ends, connections shall be sited to avoid conflict with future extensions of sewer.

LEGEND

- INSPECTION POINT I.P.
- INSPECTION OPENING I.O.
- ⊗
- SEWER MAIN AND DIRECTION OF FLOW
- LOT BOUNDARY
- EASEMENT BOUNDARY

DB 94-0164 Plot 01

Chg	A	Amendment -	Des	J.I.S.	Amendment Authorisation
Drn	C.S.		Drn	C.S.	R.M.Jones
Ckd		Title Block amended	Exm		Executive Manager 14/6/96
Unit Ldr.			Unit Ldr.		ENGINEERING GROUP

SOUTH AUSTRALIAN WATER CORPORATION

SA WATER

SEWER CONSTRUCTION MANUAL PAGE K1
CONNECTION LOCATIONS

Not to Scale

© This drawing is the property of the South Australian Water Corporation and shall not be copied without permission.

94-0164-01A