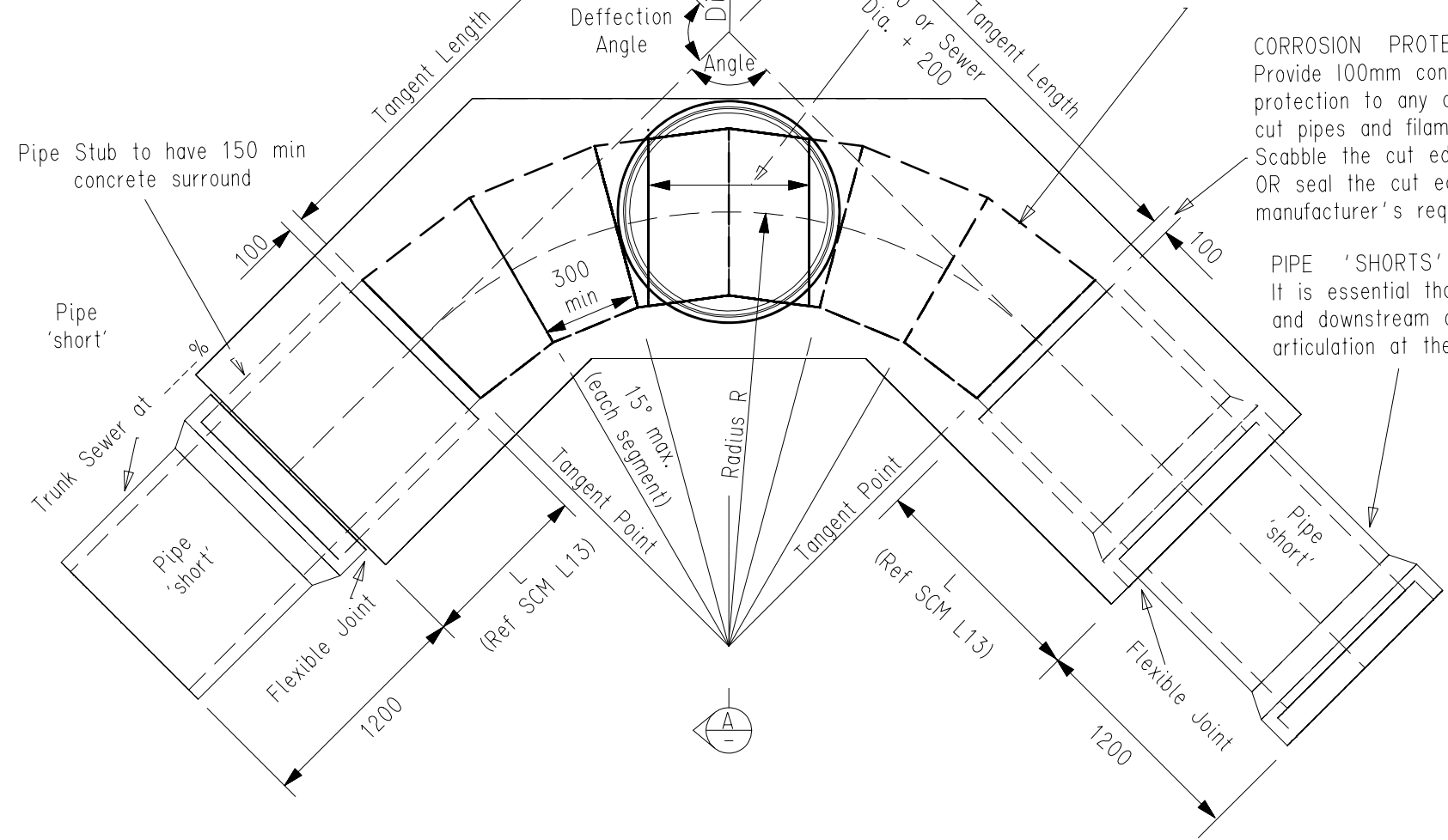


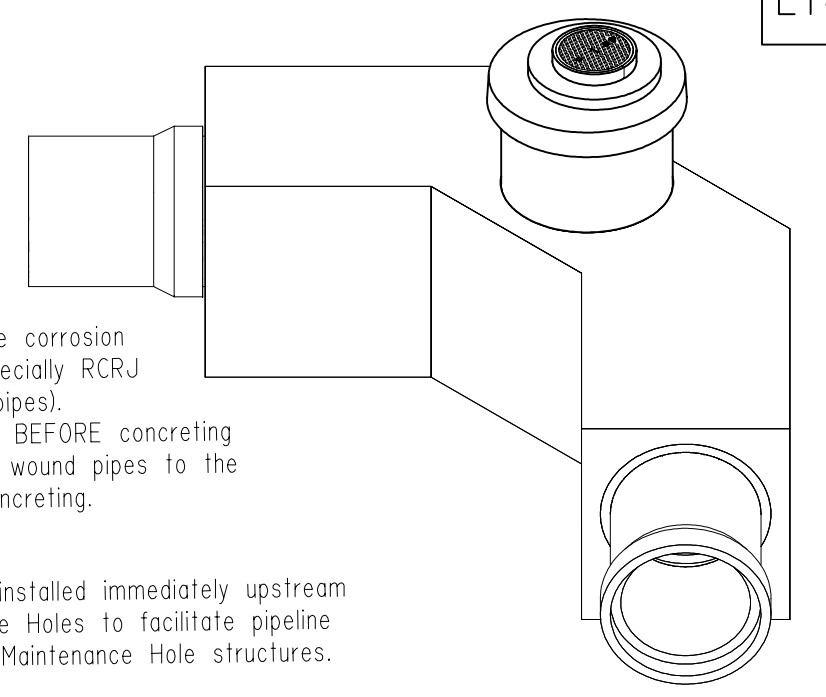
Radius of curve (R) = 2.5 x Pipe Int. Dia.
 Tangent Length = R x Tan Deflection Angle/2
 or 500 (which ever is greater)



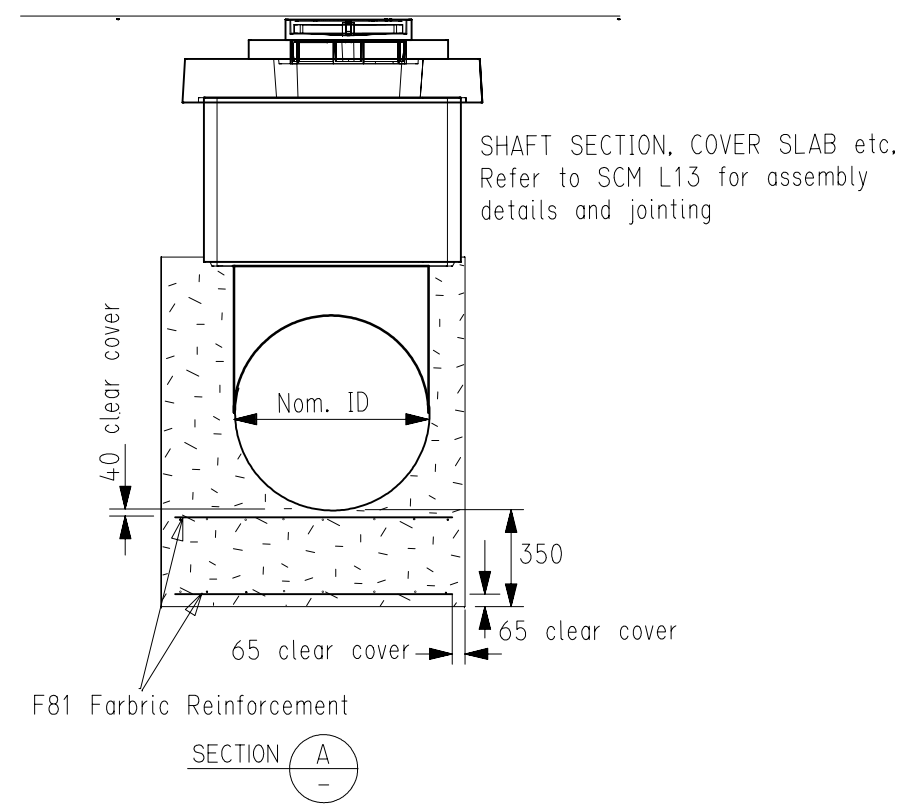
CHANNEL FORMER
 The 'lost' formwork can be manufactured from materials not subject to corrosion from raw sewerage eg Ribloc (or equivalent) polyethylene pipe or GRP pipe sections
 'Lost' formwork can be used for:-
 . Straight-through Maintenance Holes, and
 . Maintenance Holes at bends.
 Lobster-back formwork shall be pre-fabricated and factory welded ready for encasement in concrete

CORROSION PROTECTION
 Provide 100mm concrete cover to ensure corrosion protection to any cut end of pipes (especially RCRJ cut pipes and filament wound GRP cut pipes).
 Scabble the cut edges of concrete pipe BEFORE concreting OR seal the cut edges of GRP filament wound pipes to the manufacturer's requirements BEFORE concreting.

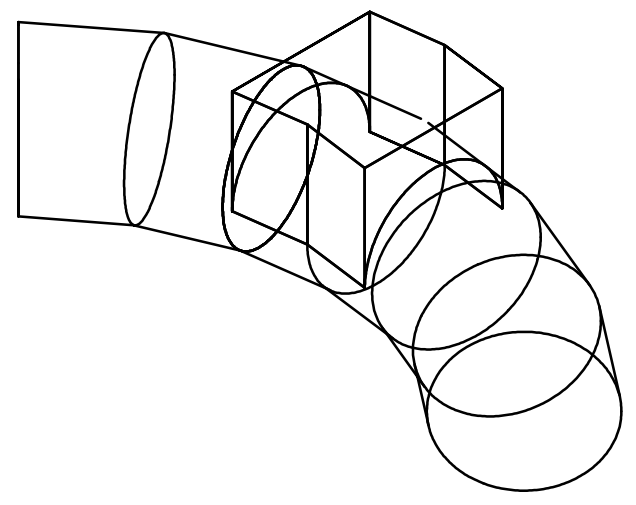
PIPE 'SHORTS'
 It is essential that pipe 'shorts' be installed immediately upstream and downstream of all T/S Maintenance Holes to facilitate pipeline articulation at the interface with rigid Maintenance Hole structures.



SHAFT (DN 1200 minimum, or DN 1500 for larger T/S)
 It is critical that the Maintenance Hole shaft straddles the pipeline and is supported on the structural concrete either side of the pipeline, and does NOT transmit a 'punching' load directly on to the pipeline itself.



Only "AUTHORISED" items shall be used in the Sewer System.



Alternative pipe materials and other variations may be approved by SA Water, providing the concepts and principles depicted in this drawing are maintained

CONSTRUCTION NOTES
 Notes 1 to 6 inclusive as detailed on standard drawing SCM L13 apply.

99-0114-01

Chg	Amendment -	Des	JIS	
Drn		Drn	C.S.	
Ckd		Exm		
Unit Ldr.		Unit Ldr.		

R.M.Jones
 Chief Engineer 4 / 6 / 99
 ENGINEERING & PROJECTS

SOUTH AUSTRALIAN WATER CORPORATION



SEWER CONSTRUCTION MANUAL PAGE L13A
 TRUNK SEWER MAINTENANCE HOLE
 FOR DN 450 AND LARGER SEWERS
 (UTILIZING 'LOST' FORMWORK)

© This drawing is the property of the South Australian Water Corporation and shall not be copied without permission.

99-0114-01