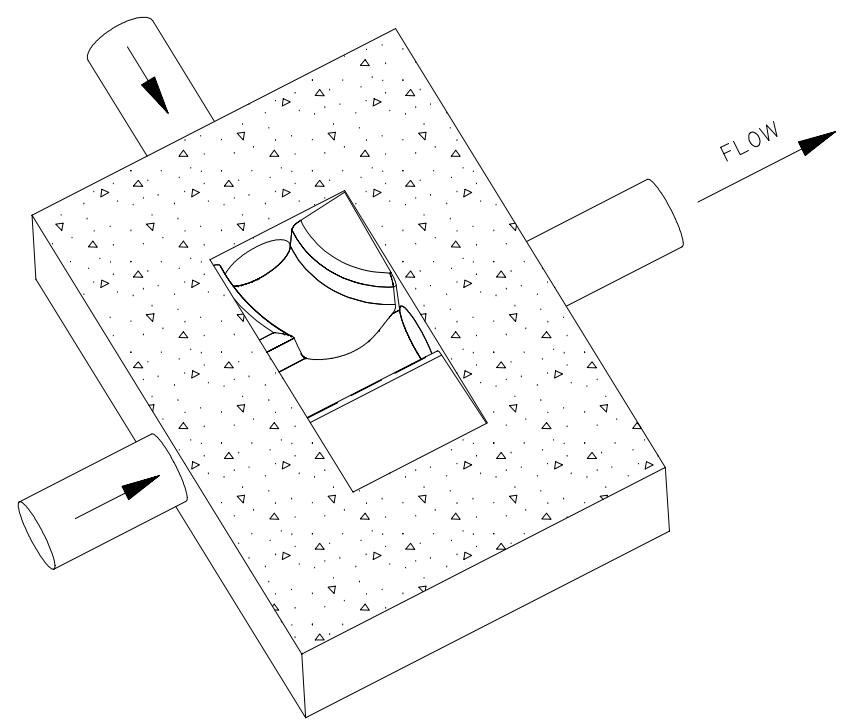
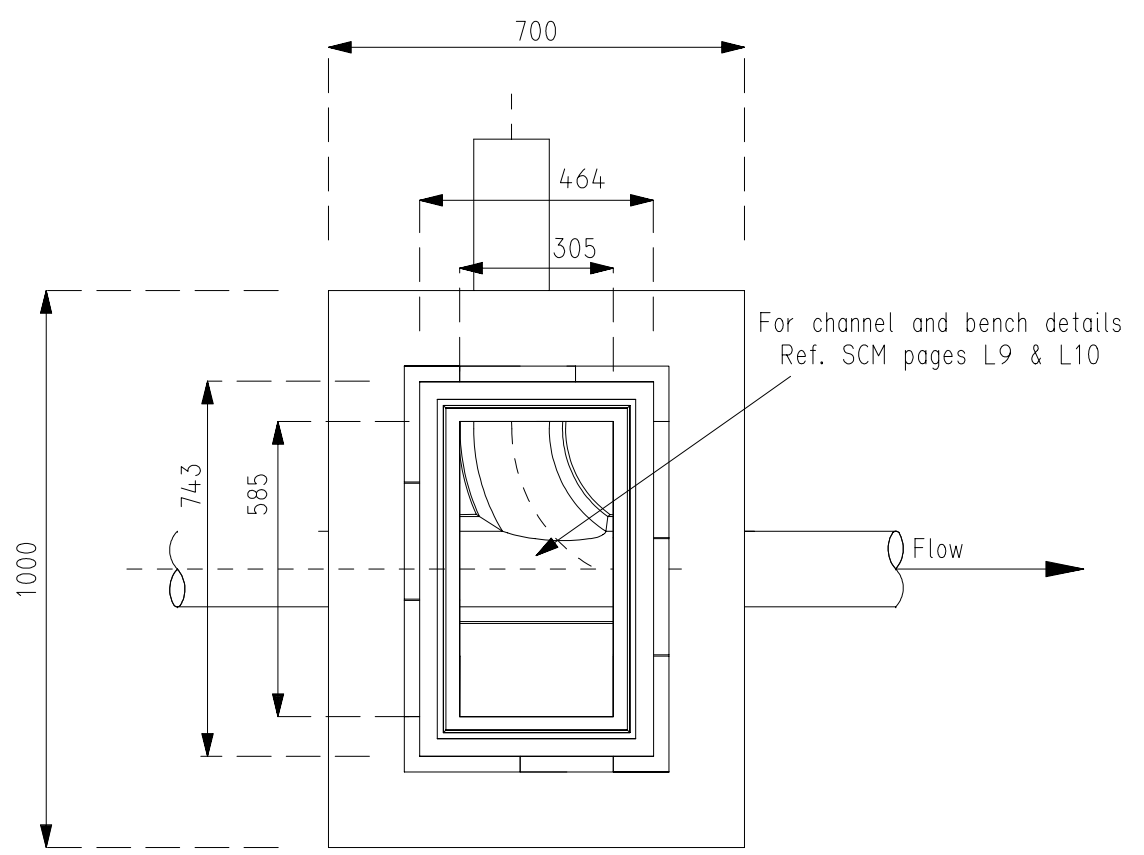
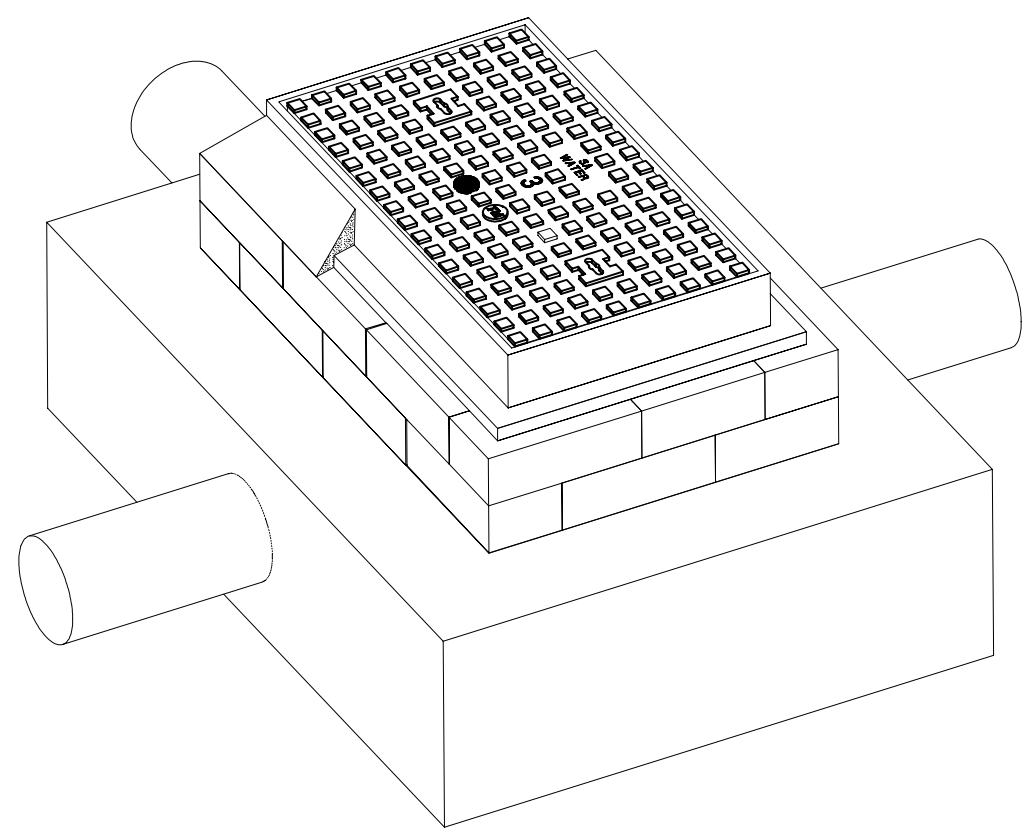
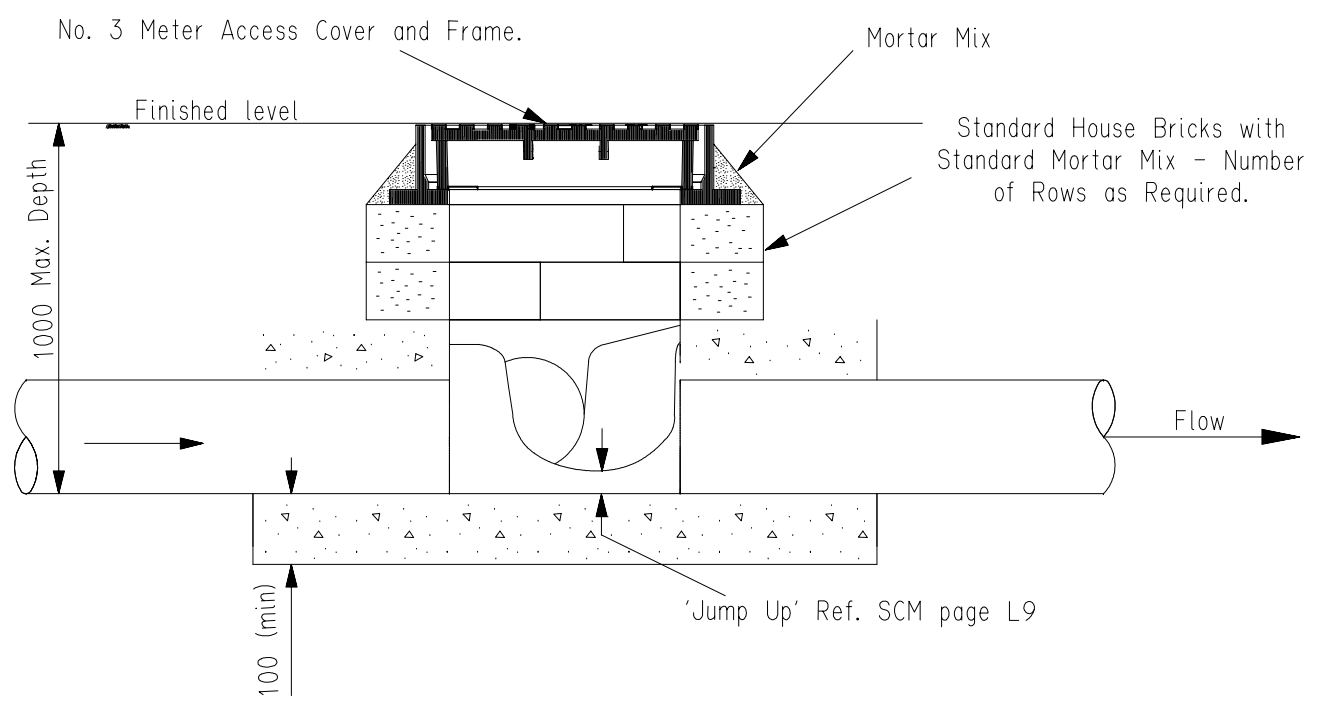


94-0167-14

ISSUED 6 Jan 97



Note:
Orient the Meter Access assembly to best suit the pipeline configuration.

Only "AUTHORISED" items shall be used in the Sewer System.

- Refer SCM page L1 for details of:
- * PREPARATION OF FLOOR OF EXCAVATIONS
 - * SEWER EMBEDMENT AND TRENCH FILL
 - * BACKFILL AND REINSTATEMENT FOR ACCESS CHAMBERS
 - * CONCRETE

DB Light-MH plot lwmb

Chg	Amendment - UPDATED 12-6-96	Des	JIS		R.M.Jones Executive Manager 14 / 6 / 96 ENGINEERING GROUP
Drn		Drn	PJM		
Ckd		Exm			
Unit Ldr.		Unit Ldr.			

SOUTH AUSTRALIAN WATER CORPORATION

SEWER CONSTRUCTION MANUAL PAGE L14
TYPICAL CONSTRUCTION DETAILS FOR
LIGHTWEIGHT ACCESS CHAMBER
FOR USE IN EASEMENTS
WITH RESTRICTED ACCESS

not to scale

94-0167-14

© This drawing is the property of the South Australian Water Corporation and shall not be copied without permission.