

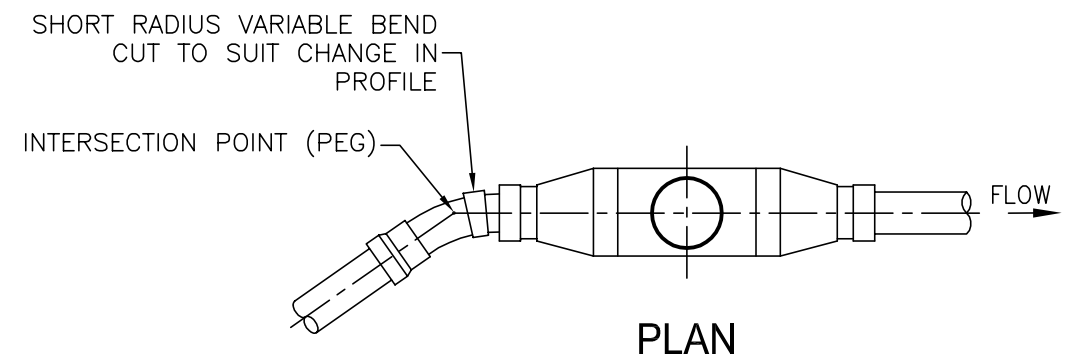
02-0290-01

L17

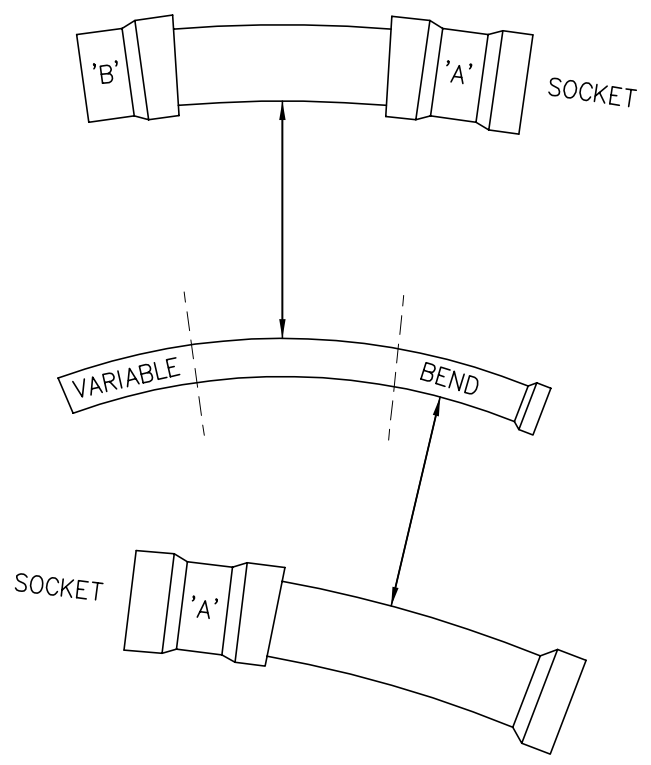
ISSUED 1st AUGUST 2002



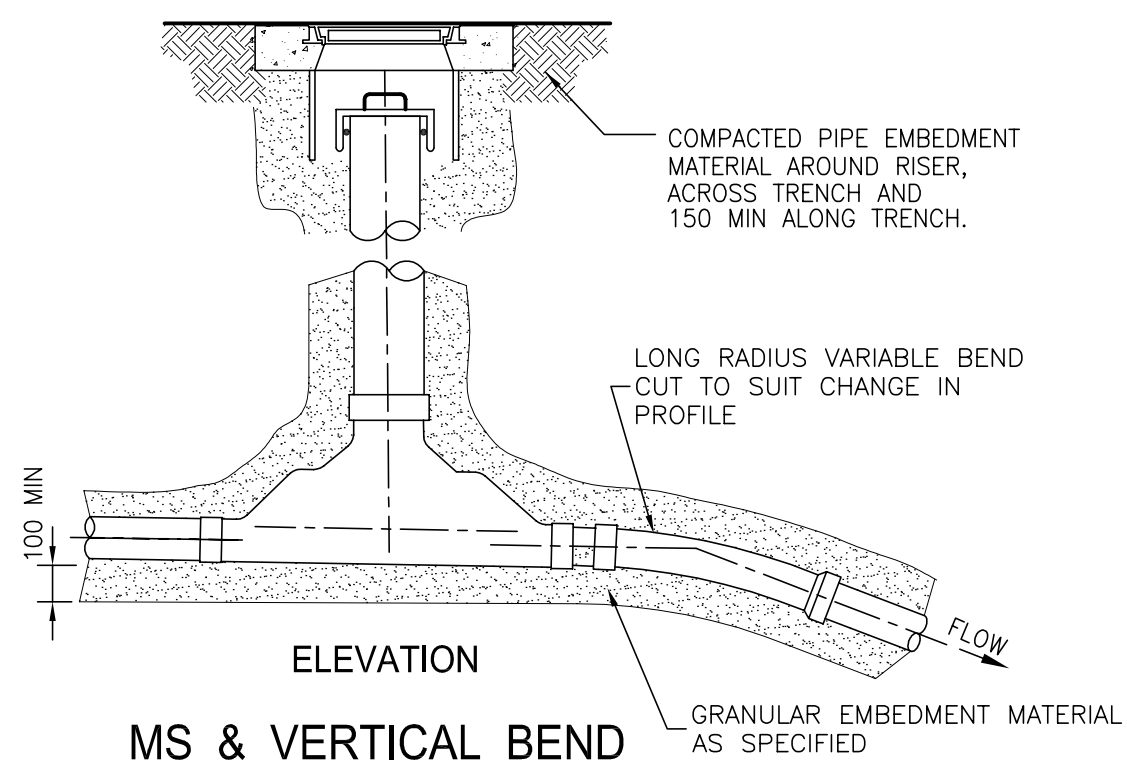
LEGEND



MS & HORIZONTAL BEND



TYPICAL VARIABLE BENDS
(ALL COMBINATIONS OF ENDS ACCEPTED)



MS & VERTICAL BEND

NOTES:

1. ALL DIMENSIONS IN MILLIMETRES.
2. VARIABLE BEND CUT TO LENGTH TO ACHIEVE REQUIRED DEFLECTION.
3. RECORD DETAILS OF BEND LOCATIONS AND ANGLES ON WORK AS CONSTRUCTED DRAWINGS.

BASED ON WSAA SEWERAGE SUPPLY CODE OF AUSTRALIA DRAWINGS (WSA-02)

Chg	Amendment -	Des			By G Rosser for Gen. Man. E&P 1/ 8/02 ENGINEERING & PROJECTS
Drn		Drn			
Ckd		Exm	GRR		
Unit Ldr.		Unit Ldr.			

SOUTH AUSTRALIAN WATER CORPORATION

SEWER CONSTRUCTION MANUAL
PAGE L17
MAINTENANCE SHAFT WITH
VARIABLE BENDS

Not to Scale

2000

02-0290-01

© This drawing is the property of South Australia Water Corporation and shall not be copied without permission.