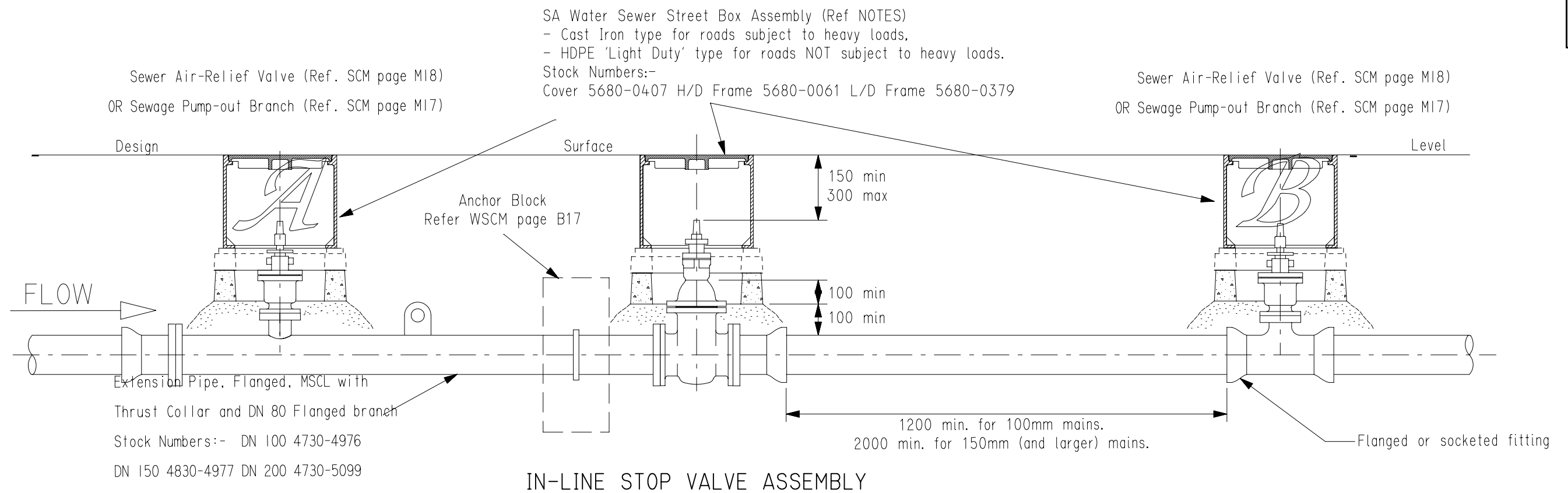


94-0163-16

ISSUED 6 Jan 97

DB 94-0163 Plot S-StopV



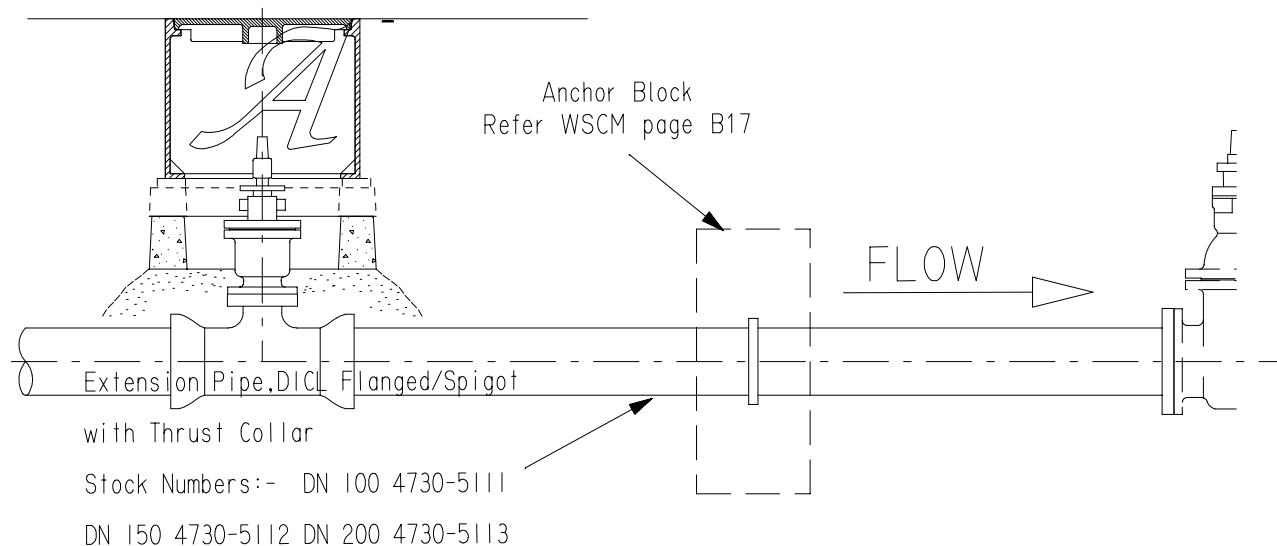
IN-LINE STOP VALVE ASSEMBLY

CASE1:- For RISING gradients (with flow direction as shown), install:-

- . SEWER AIR-RELIEF VALVE at 'A' as detailed on SCM page M18, to bleed entrapped air (during the 'charging' cycle) from that section of pumping main preceding the stop valve, and
- . SEWAGE PUMP-OUT BRANCH at 'B' as detailed on SCM page M17, (or another SEWER AIR-RELIEF VALVE where this can be used as a substitute pump-out branch), to drain the section of pumping main beyond the stop valve.

CASE2:- FOR FALLING gradients (with flow direction as shown), install:-

- . SEWAGE PUMP-OUT BRANCH at 'A' as detailed on SCM page M17, (or a SEWER AIR-RELIEF VALVE where this can be used as a substitute pump-out branch), to drain that section of pumping main preceding the stop valve, and
- . SEWER AIR-RELIEF VALVE at 'B' as detailed on SCM page M18, to bleed entrapped air (during the 'charging' cycle) from the section of pumping main beyond the stop valve.



ALTERNATIVE ASSEMBLY

Only "AUTHORISED" items shall be used in the Sewer System.

NOTES:

- . Install a Combination Indicator Sign (Air-relief/Stop Valve/Pump-out Br) and Post for each site as detailed on SCM page M19.
- . General installation details of Sewer Street Box Assembly and Concrete Spacers is similar to that shown on WSCM pages C9 and C10.
- . Provide corrosion protection for fittings as detailed in Section 5 of SA Water "Standard Specification for Construction of Sewerage Systems", DS11(b).
- . For details of available fittings, refer to SA Water catalogues of "Authorised Items for Sewer Systems" and/or "Authorised Items for Water Supply Reticulation Systems".

Chg	Amendment -	9-1-97	Des	JIS		R.M.Jones Executive Manager 6 / 1 / 97 ENGINEERING GROUP
Drn			Drn	CLS		
Ckd			Exm			
Unit Ldr.			Unit Ldr.			

SOUTH AUSTRALIAN WATER CORPORATION

SA WATER

SEWER CONSTRUCTION MANUAL PAGE M16
 IN-LINE STOP VALVE ASSEMBLY
 FOR DN 100 to DN 200
 SEWAGE PUMPING MAINS

not to scale

© This drawing is the property of the South Australian Water Corporation and shall not be copied without permission.

94-0163-16