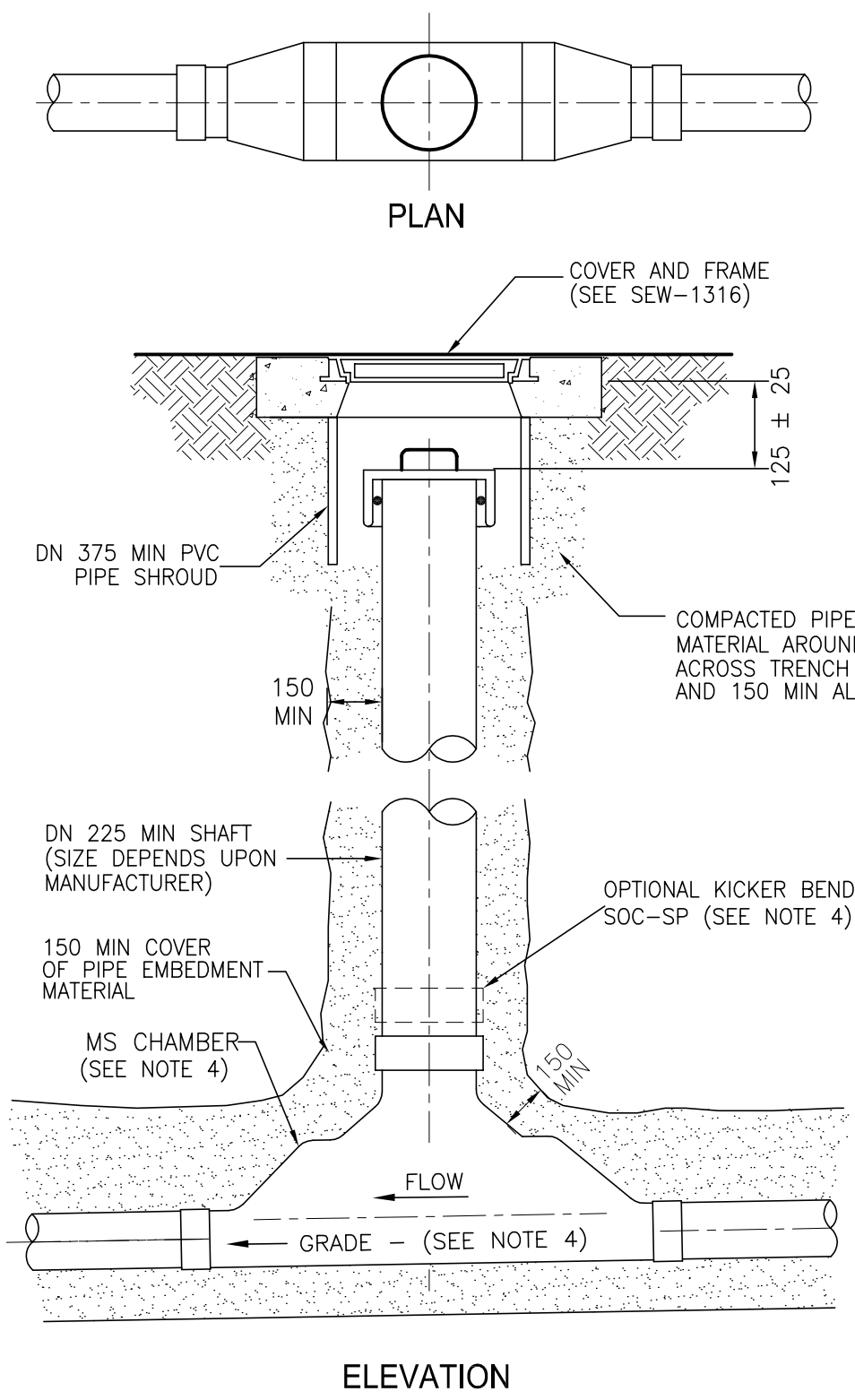


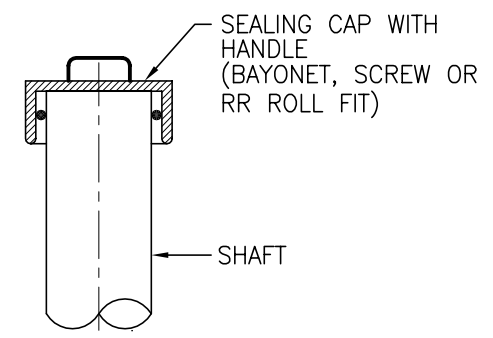
02-0289-01

L16

ISSUED 1st AUGUST 2002



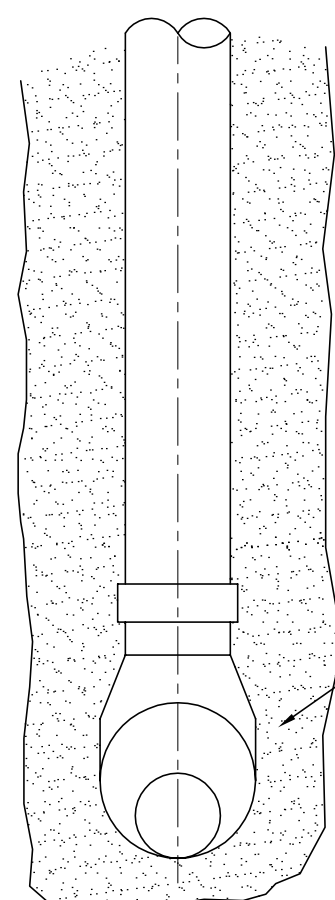
**MAINTENANCE SHAFT**



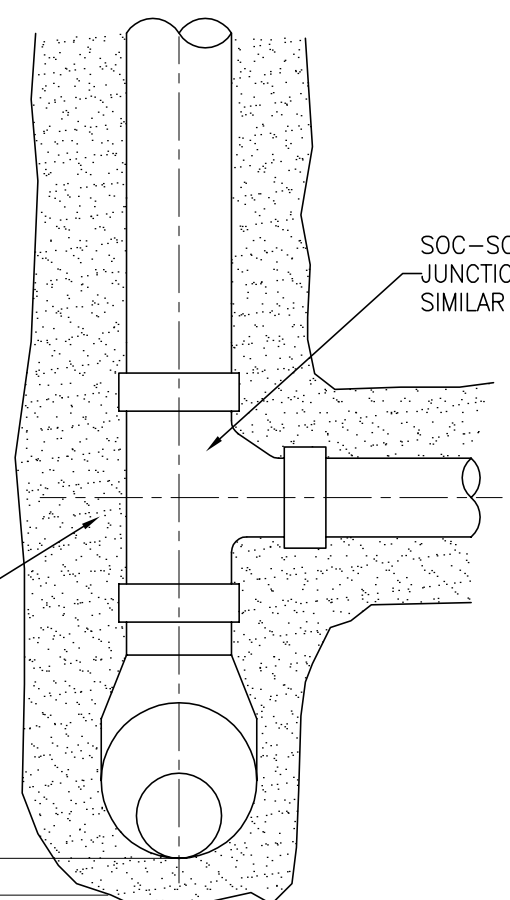
**RISER SHAFT CAP**

**NOTES:**

1. ALL DIMENSIONS IN MILLIMETRES.
2. MS MAY BE MANUFACTURED USING VARIOUS MATERIALS AND JOINTING SYSTEMS AS AUTHORISED BY WATER AGENCY.
3. MAXIMUM DEPTH TO INVERT 5000.
4. ADJUST MS TO PIPE GRADE BY TILTING MS CHAMBER. MAX DEVIATION FROM VERTICAL OF THE RISER TO BE 1:10 OR A MAXIMUM OF 300 AT SURFACE. USE KICKER BEND IF REQUIRED TO ADJUST RISER TO VERTICAL.
5. ACCESS COVER, FRAME AND SUPPORT SLAB TO BE AS AUTHORISED BY WATER AGENCY SEE SEW-1316.



**END ELEVATION PLAIN RISER SHAFT**



**END ELEVATION DROP JUNCTION**

BASED ON WSAA SEWERAGE SUPPLY CODE OF AUSTRALIA DRAWINGS (WSA-02)

Chg	Amendment -	Des		
Drn		Drn		
Ckd		Exm	GRR	By G Rosser for
Unit Ldr.		Unit Ldr.		Gen. Man. E&P 1/ 8/02
				ENGINEERING & PROJECTS

SOUTH AUSTRALIAN WATER CORPORATION

SEWER CONSTRUCTION MANUAL

PAGE L16

MAINTENANCE SHAFT INSTALLATION

Not to Scale

2000

02-0289-01

© This drawing is the property of South Australia Water Corporation and shall not be copied without permission.