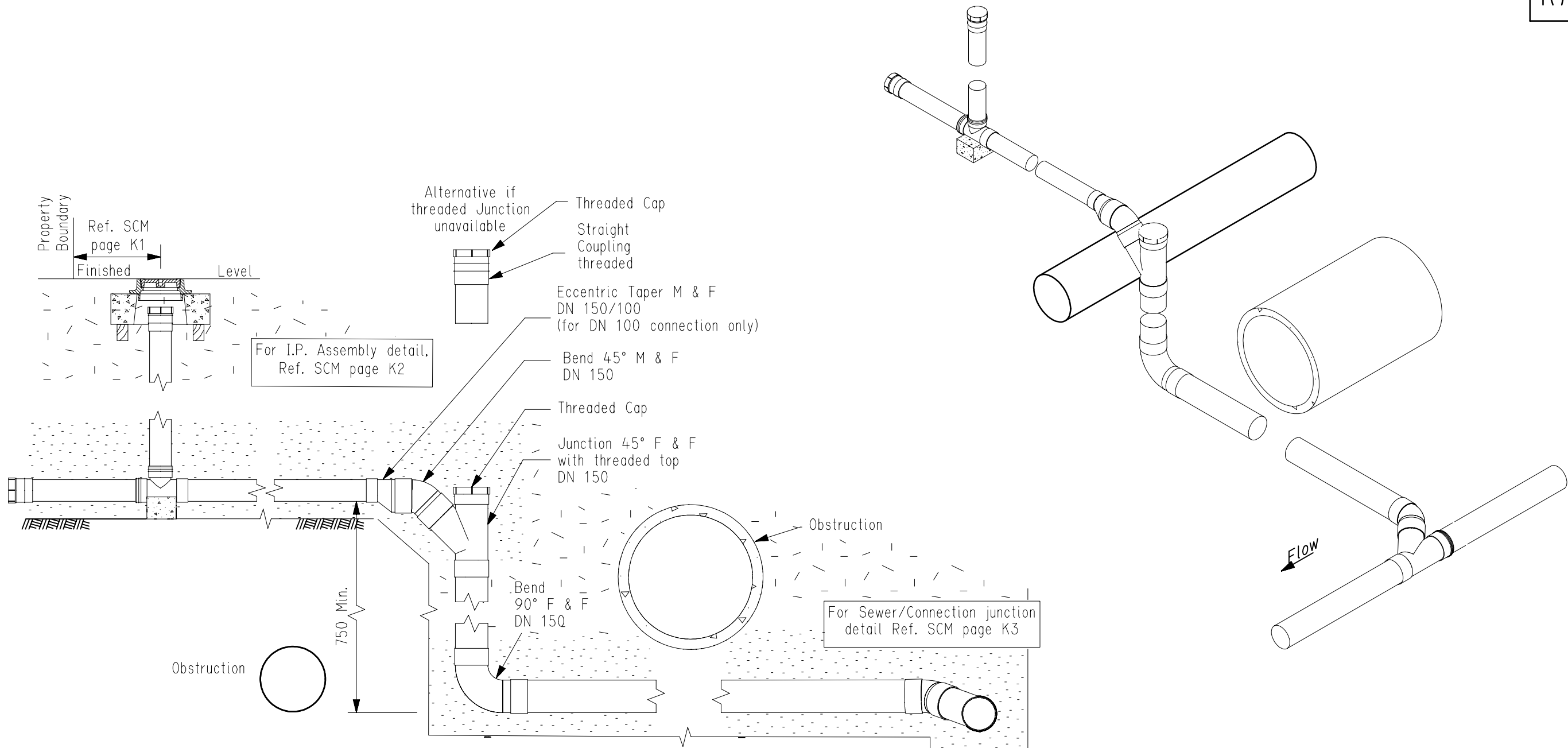


ISSUED 6 Jan 97



Only "AUTHORISED" items shall be used in the Sewer System.

NOTES:

1. Minimum connection gradient is 2.00% for DN 100 and 1.00% for DN 150.
2. Connection length not to exceed 30 metres  
For connections over 20 metres, an intermediate IP shall be installed to the surface at mid length.
3. Embedment and Trench Fill to be similar to that for a DN 150 UPVC sewer, as detailed in SCM Section 'G'.



PIPE MATERIALS

Details on this drawing are applicable to connections off UPVC sewers using:-  
 \* approved UPVC plain wall pipes with solvent cement joints, and  
 \* approved UPVC ribbed pipes fitted with dual rubber rings at each joint.

SPECIAL NOTE

An INTERMEDIATE RISER shall only be used where obstructions preclude the use of a standard connection, and where approved by the Superintendent's Representative.

DB 94-0164 Plot 08

Chg	A	Amendment - 13-6-96	Des	J.I.S.	Amendment Authorisation
Drn	C.S.	1. Title Block amended	Drn	C.S.	R.M.Jones
Ckd		2. Note 2 amended	Exm		Executive Manager 14 / 6 / 96
Unit Ldr.		3. Height of 'RISER' amended	Unit Ldr.		ENGINEERING GROUP

**SOUTH AUSTRALIAN WATER CORPORATION**

**SA WATER**

**SEWER CONSTRUCTION MANUAL PAGE K7**  
**DN 100 & 150 UPVC CONNECTIONS**  
**WITH INTERMEDIATE RISER**

Not to Scale

© This drawing is the property of the South Australian Water Corporation and shall not be copied without permission.