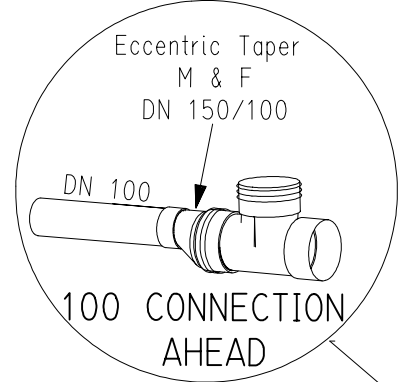
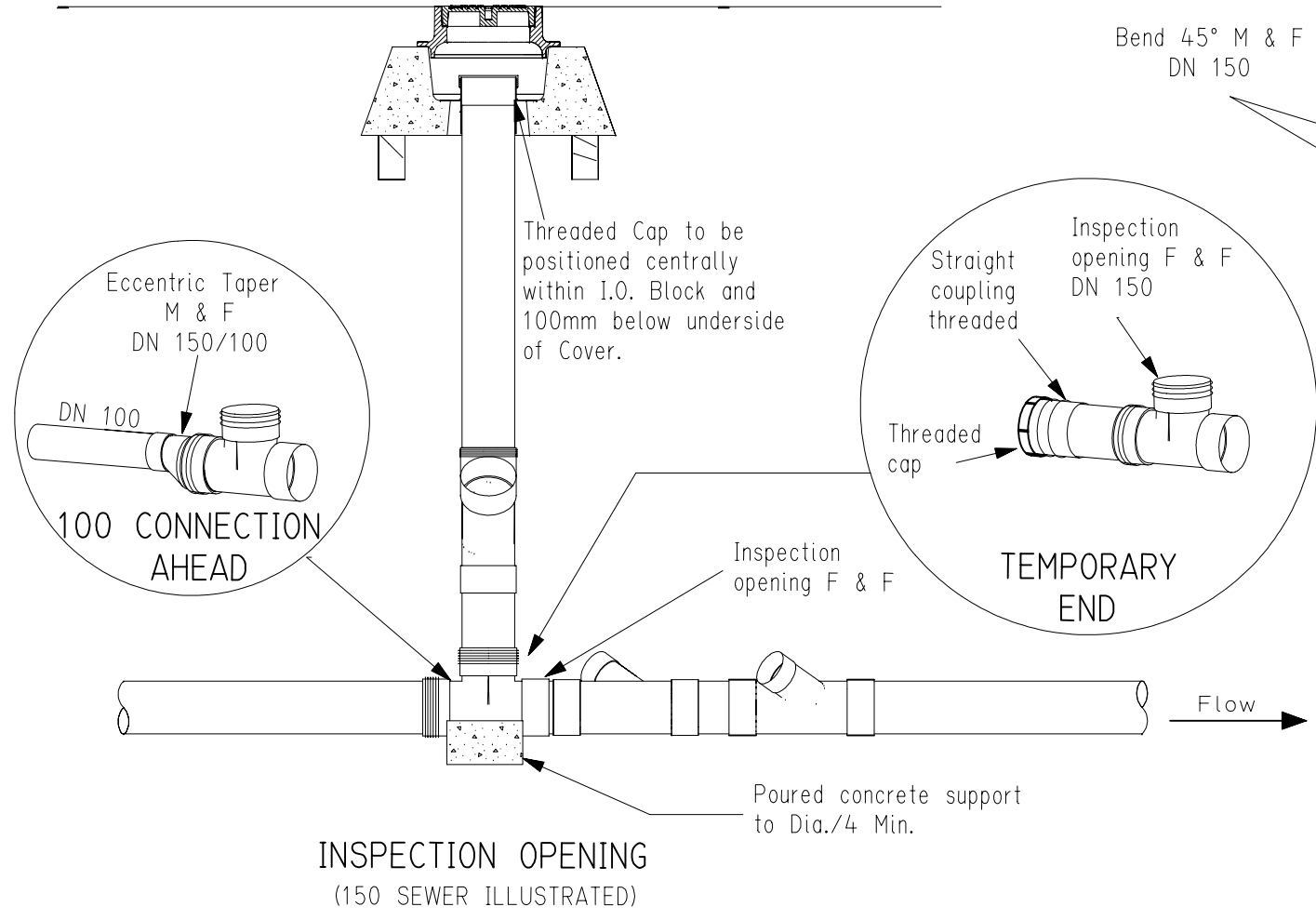
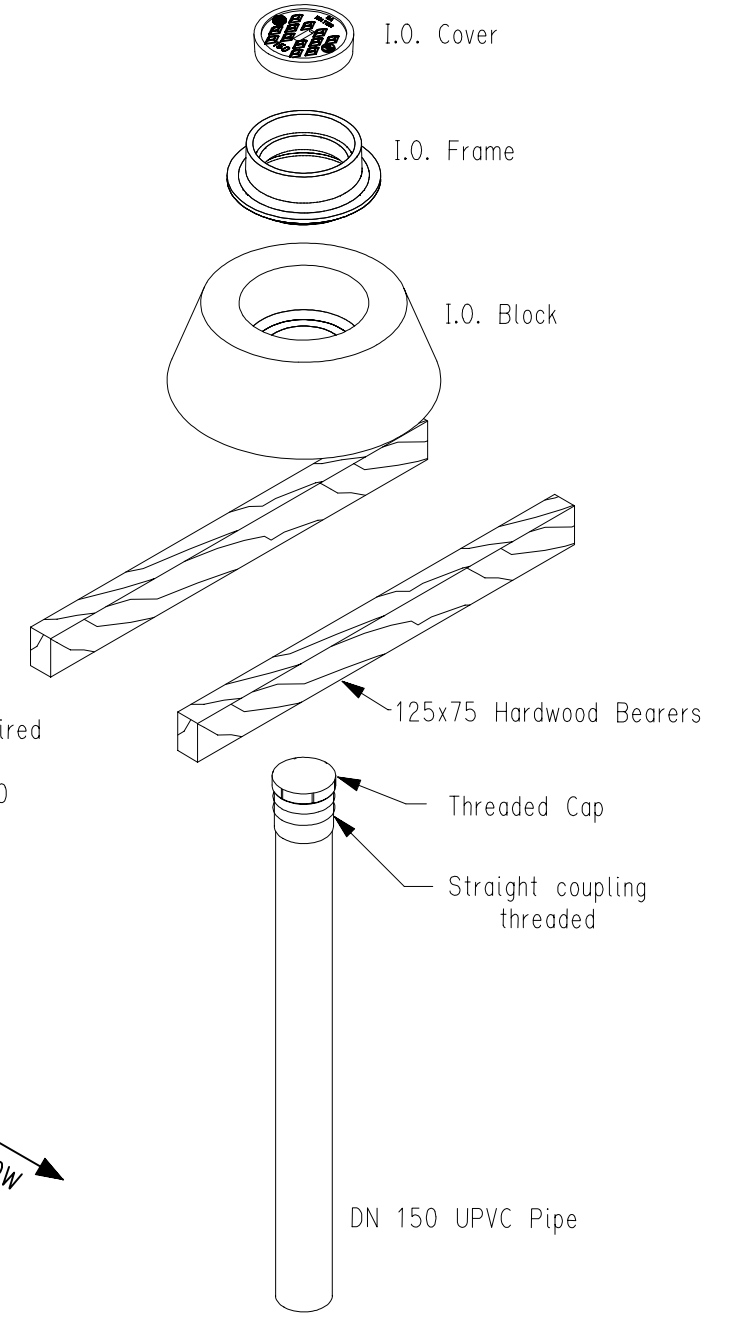
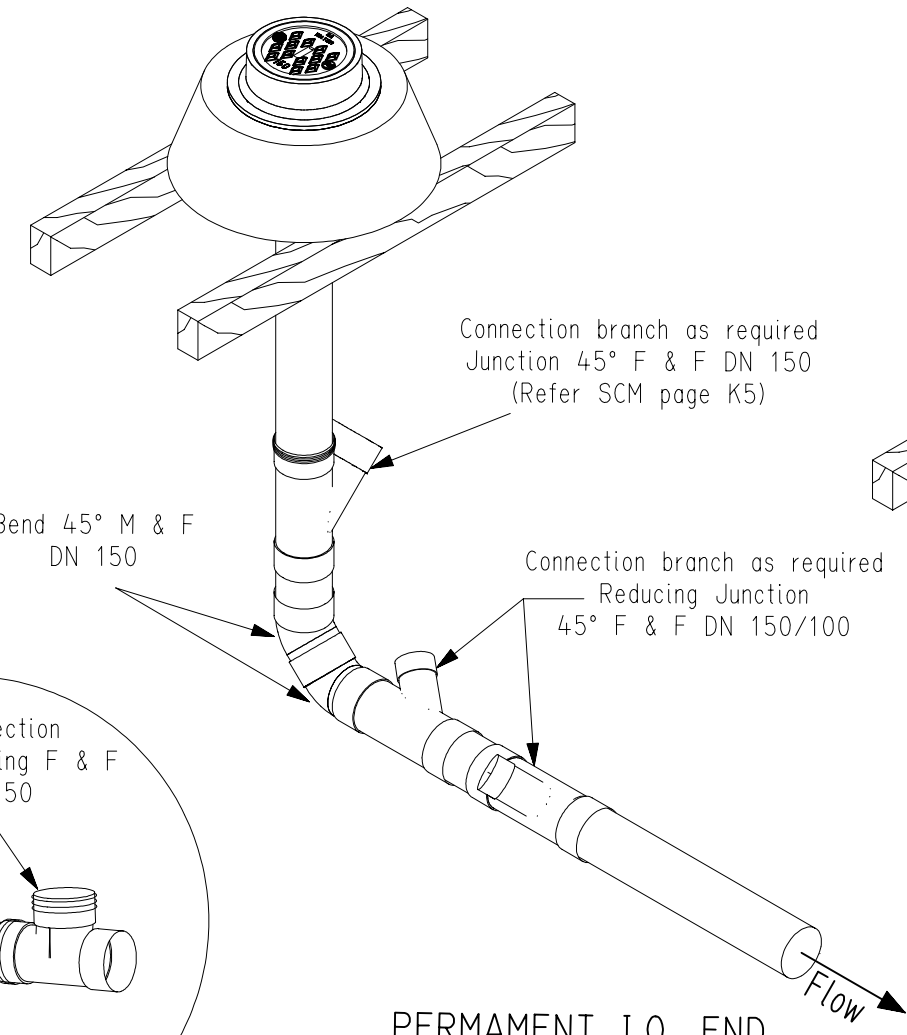
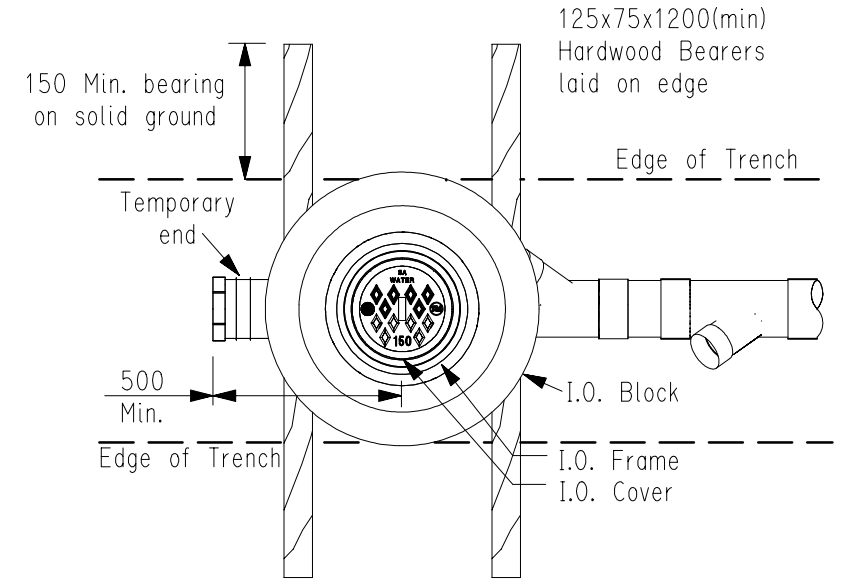


94-0167-03

ISSUED 6 Jan 97



RISER ARRANGEMENT

Only "AUTHORISED" items shall be used in the Sewer System.

NOTE:  
1. Embedment and Trench Fill, Ref SCM Section 'G'.

DB 94-0167 Plot 01

Chg	Amendment - UPDATED 12-6-96	Des	JIS	
Drn		Drn	C.S.	
Ckd		Exm		
Unit Ldr.		Unit Ldr.		

R.M.Jones  
Executive Manager 14 / 6 / 96  
ENGINEERING GROUP

SOUTH AUSTRALIAN WATER CORPORATION

SEWER CONSTRUCTION MANUAL PAGE L3  
DN 150 INSPECTION OPENINGS

Not to Scale

© This drawing is the property of the South Australian Water Corporation and shall not be copied without permission.

94-0167-03