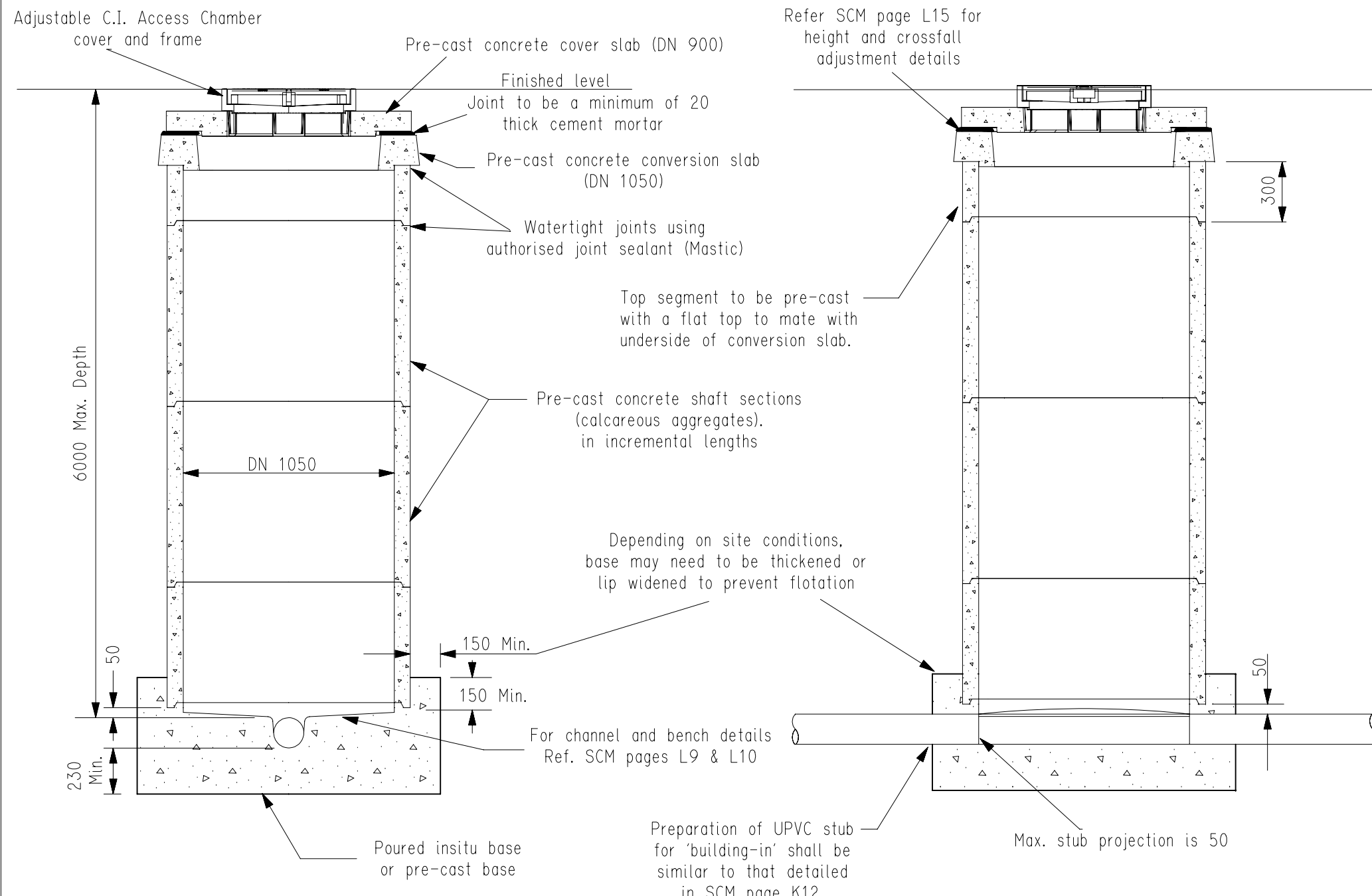


94-0167-05A

ISSUED 6 Jan 97

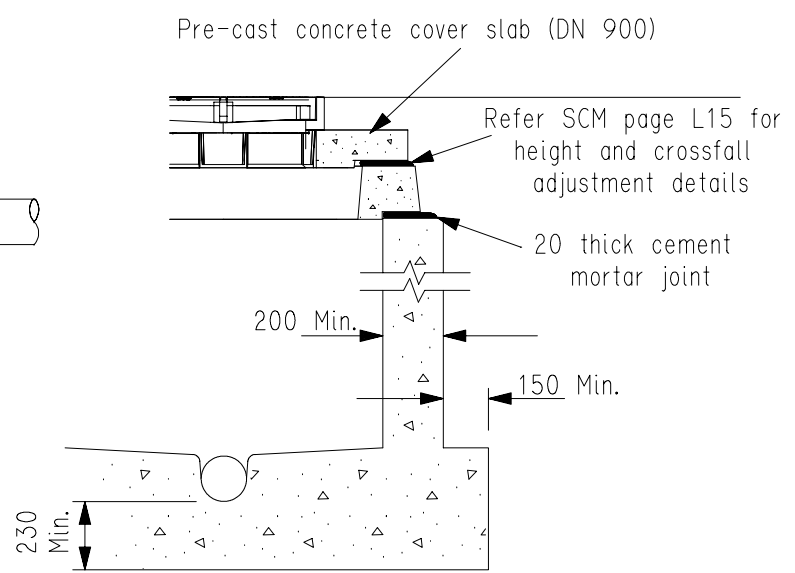
Note:
C.I. Cover and Frame to be a matching set with pre-cast concrete cover slab



PRE-CAST ACCESS CHAMBER CONFIGURATION

Cover Slab	.Pre-cast
Conversion Slab	.Pre-cast
Shaft	.Pre-cast .Insitu
Base	.Pre-cast .Insitu

Only "AUTHORISED" items shall be used in the Sewer System.



INSITU BASE AND SHAFT CONFIGURATION

- Refer SCM page L1 for details of:
- * PREPARATION OF FLOOR OF EXCAVATIONS
 - * SEWER EMBEDMENT AND TRENCH FILL
 - * BACKFILL AND REINSTATEMENT FOR ACCESS CHAMBERS
 - * CONCRETE

DB 94-0167 Plot 1050MH

Chg	A	Amendment -	14-11-96	Des	JIS	Amendment Authorisation R.M.Jones
Drn	C.S.			Drn	C.S.	
Ckd				Exm		
Unit Ldr.				Unit Ldr.		
Executive Manager 6 / 1 / 97						
ENGINEERING GROUP						

SOUTH AUSTRALIAN WATER CORPORATION



SEWER CONSTRUCTION MANUAL PAGE L5
TYPICAL CONSTRUCTION DETAIL FOR
1050 ID ACCESS CHAMBER

Not to Scale

© This drawing is the property of the South Australian Water Corporation and shall not be copied without permission.

94-0167-05A