

## Plumbing Solutions – edition 3

### Sizing of Pipes for Single Dwellings

#### AS/NZS3500.1 Water Services Pipe Size Limitations

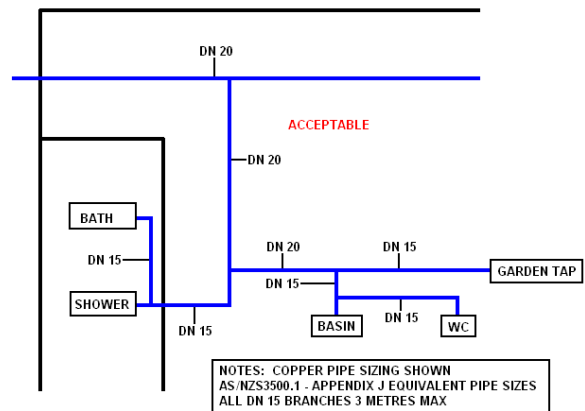
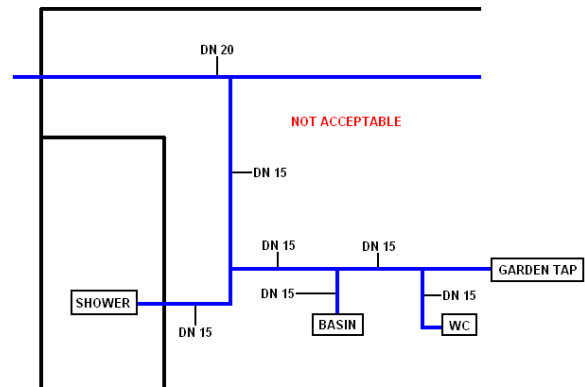
##### 3.5.1 Water Service

The size of the water service pipe from the property service to branch off-takes shall have an internal diameter of not less than 15mm.

##### 3.5.2 Branch Off-takes

Branch off-take pipes extended from any water service, shall comply with the following:

- 12.5mm internal diameter branches shall not exceed 6m in length and supply one fixture or outlet. It may also supply a flushing device or a storage tank supplying a gravity fed, domestic type water heater.
- 10mm internal diameter branches shall not exceed 3m in length and may only supply one fixture or outlet. It may also supply a combination bath and shower unit, or a laundry and washing machine, or a kitchen sink and dishwasher.
- 7mm internal diameter branches shall not exceed 1m in length, be installed in a reasonably straight run, and may supply a hot and cold water mixing tap.



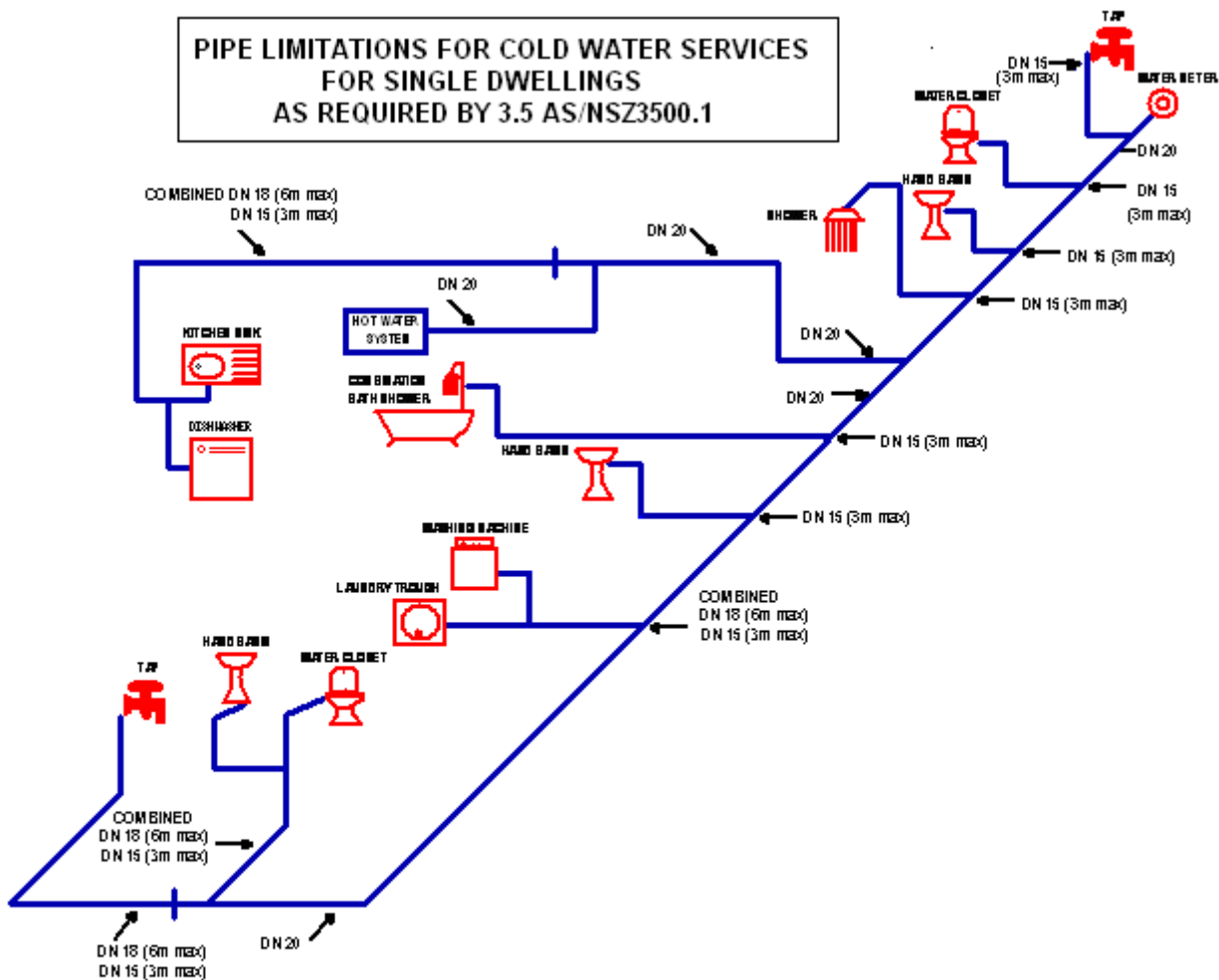
If your plumbing design does not comply with the above standards, it must meet the velocity and minimum flow rate requirements (AS/NZS3500.1 Clause 3.4 Velocity Requirements and Table 3.1)

#### 3.3.4 Maximum pressure within buildings

Provision shall be made to ensure that the maximum static pressure at any outlet, other than a fire service outlet, within a building does not exceed 500kPa.

Note: Pressures above 500kPa can cause damage from water hammer, reduced life of appliances, taps and fittings, and cause excessive noise in the system.

## PIPE LIMITATIONS FOR COLD WATER SERVICES FOR SINGLE DWELLINGS AS REQUIRED BY 3.5 AS/NZS3500.1



**NOTES: COPPER PIPE SIZING SHOWN  
AS/NZS3500.1 - APPENDIX J EQUIVALENT PIPE SIZES**

If you have any questions about sizing of pipes for single dwellings or the AS/NZS 3500 Plumbing and Drainage Standards or alternatively, if you would like copies of this or various editions of Plumbing Solutions, please contact Plumbooking on (08) 7424 1360 or email [plumbooking@sawater.com.au](mailto:plumbooking@sawater.com.au)

We welcome your feedback. If you have any comments about Plumbing Solutions, or wish to suggest some topics to be covered in future editions please send us an email to [plumbooking@sawater.com.au](mailto:plumbooking@sawater.com.au)