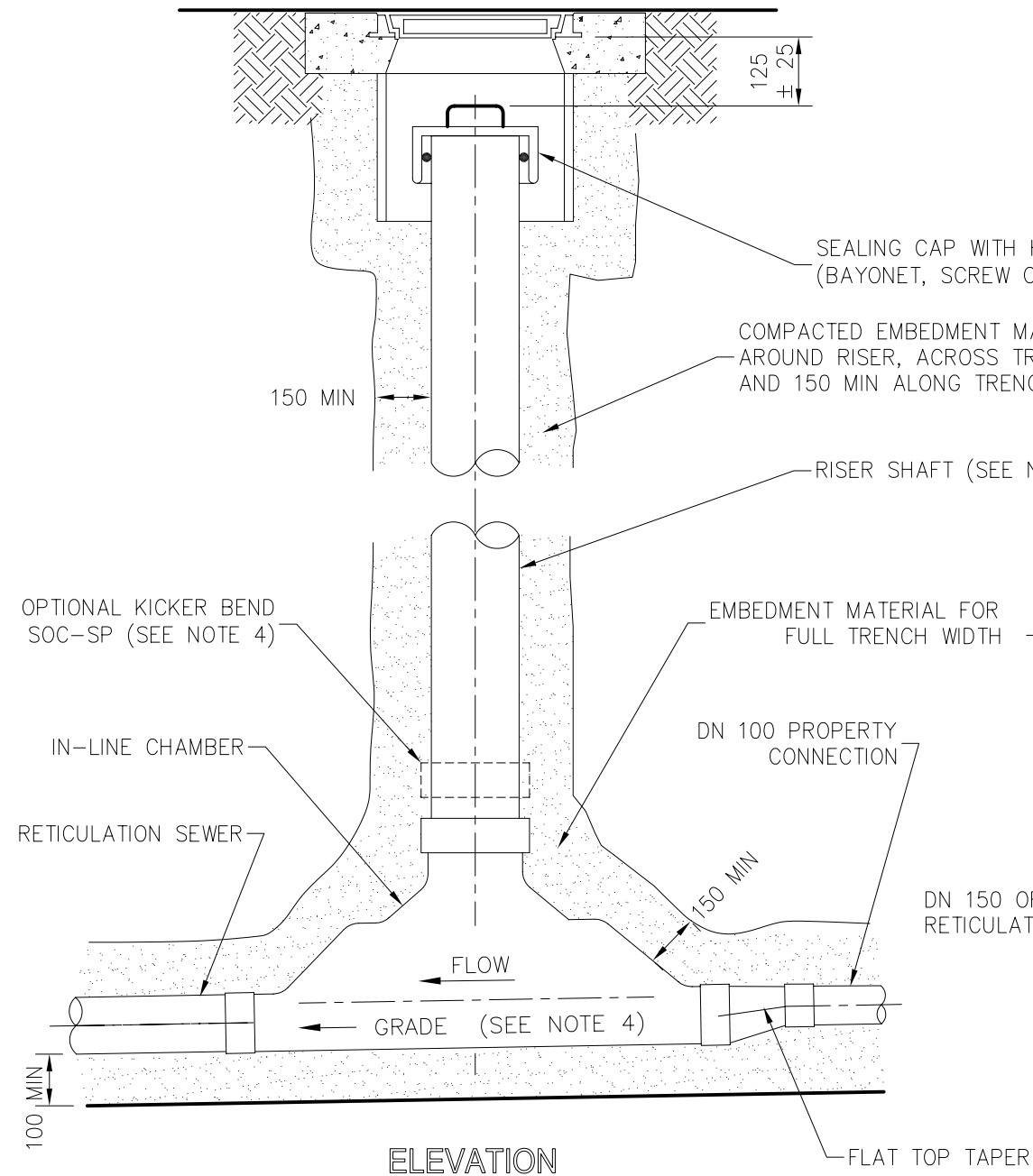
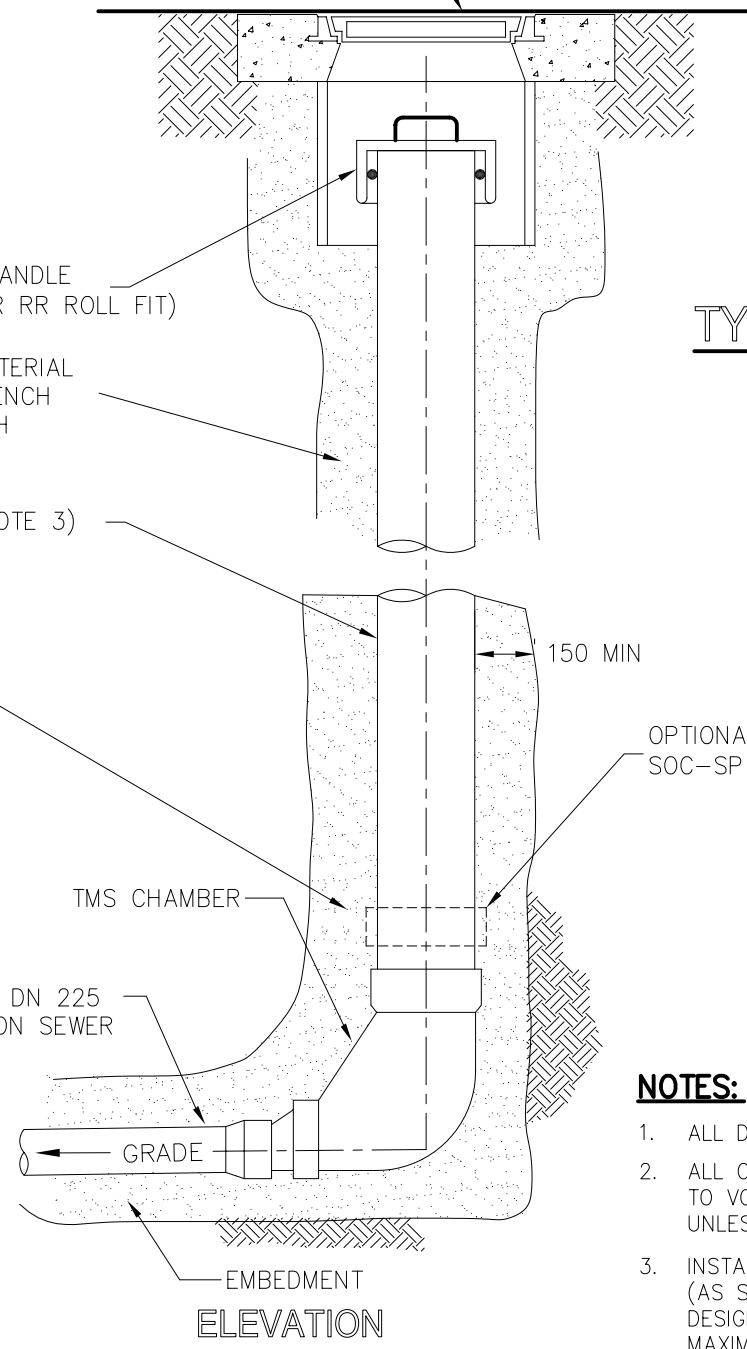


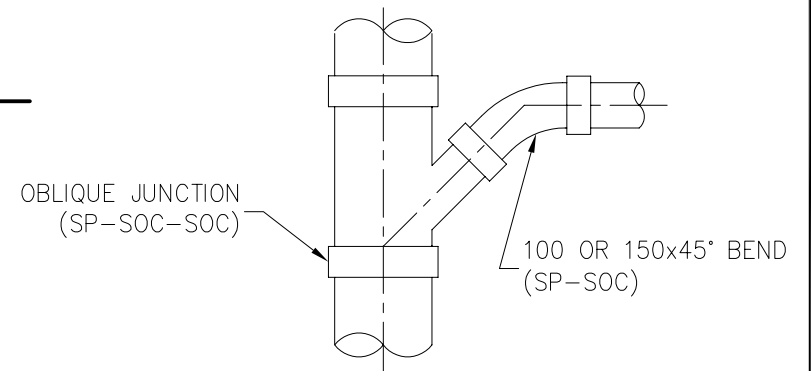
CLASS "B" OR CLASS "D"  
COVER (AS REQUIRED)  
(SEE SEW-1316)



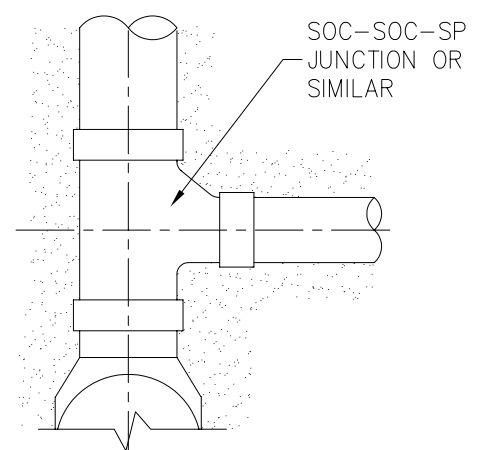
**END MAINTENANCE SHAFT  
WITH PROPERTY CONNECTION AHEAD**



**MAINTENANCE SHAFT TERMINAL**



**TYPICAL PROPERTY CONNECTIONS**  
(POSITIONED IN RISER AS REQUIRED)



**DN 150 RETICULATION INLETS**  
(POSITIONED IN RISER AS SPECIFIED)

**NOTES:**

1. ALL DIMENSIONS IN MILLIMETRES
2. ALL CONNECTION TYPES SHOWN ARE APPLICABLE TO VC, PVC (SOLVENT WELD) AND PVC (RUBBER RING) PIPES UNLESS OTHERWISE SHOWN.
3. INSTALL BRANCH CONNECTIONS AND PROPERTY CONNECTIONS (AS SHOWN ABOVE) IN RISER SHAFT (DROP JUNCTIONS) WHERE SHOWN IN DESIGN DRAWINGS. MAXIMUM OF 1 RETICULATION INLET OR 2 PROPERTY CONNECTIONS.
4. ADJUST MS TO PIPE GRADE BY TILTING CHAMBER. MAX DEVIATION FROM VERTICAL OF THE RISER TO BE 1:10 OR A MAXIMUM OF 300 AT SURFACE. USE KICKER BEND IF REQUIRED TO ADJUST RISER TO VERTICAL.

02-0291-01a L18

ISSUED 23rd Sep 2002

BASED ON WSAW SEWERAGE SUPPLY CODE OF AUSTRALIA DRAWINGS (WSA-02)

Chg	A	Amendment -	Des		
Drn	RVL	Elevations Title Change	Drn		
Ckd	GRR		Exm	GRR	
Unit Ldr.	GRR		Unit Ldr.		

By G Rosser for  
Gen. Man. E&P 23 Sep 02  
ENGINEERING & PROJECTS

SOUTH AUSTRALIAN WATER CORPORATION

SEWER CONSTRUCTION MANUAL  
PAGE L18  
MAINTENANCE SHAFT TERMINAL  
AND END MS WITH CONNECTIONS AHEAD

Not to Scale  
2000  
02-0291-01a

© This drawing is the property of South Australia Water Corporation and shall not be copied without permission.