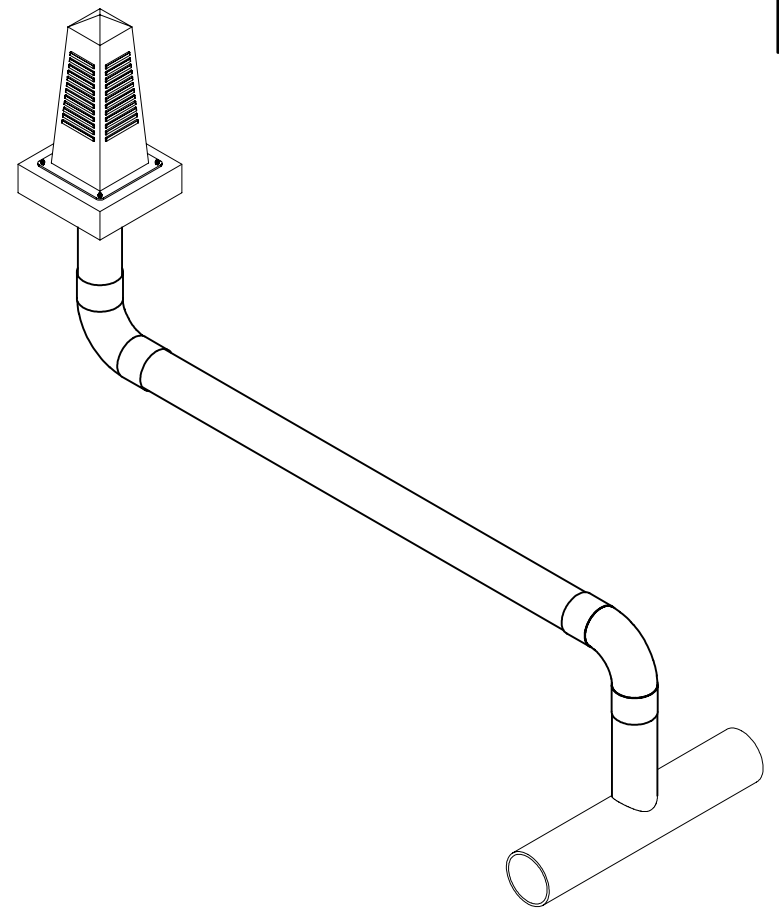
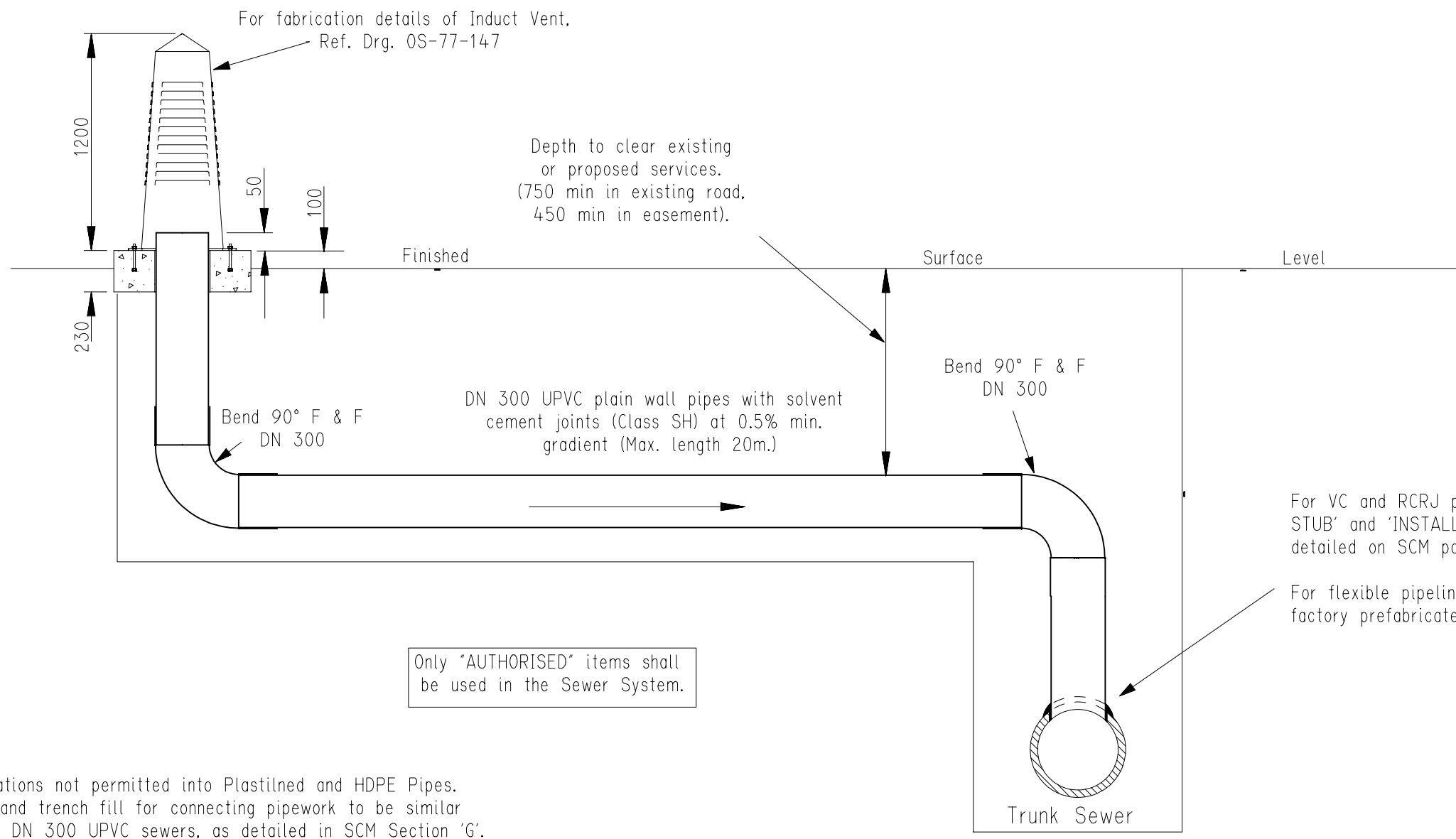
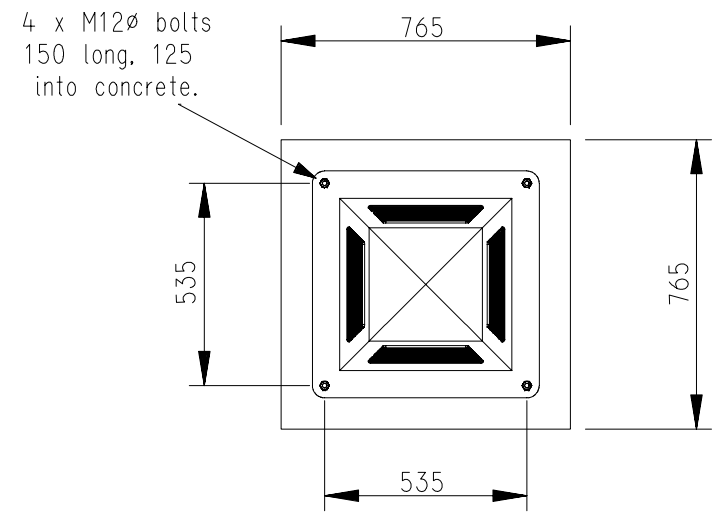


94-0168-02



Only "AUTHORISED" items shall be used in the Sewer System.

For VC and RCRJ pipelines, the 'CORED HOLE', 'PREPARATION OF STUB' and 'INSTALLATION OF STUB' shall be similar to that as detailed on SCM page K12.

For flexible pipeline systems (UPVC, HDPE, HOBAS etc), special factory prefabricated branches or saddles will be required.

- NOTES:
1. Vent penetrations not permitted into Plastilined and HDPE Pipes.
  2. Embedment and trench fill for connecting pipework to be similar to that for DN 300 UPVC sewers, as detailed in SCM Section 'G'.
  3. Holding down bolts and nuts to be hot dip galvanised.
  4. Concrete poured insitu shall be Grade N40 in accordance with AS 1379.
  5. For siting of Induct Vent Ref. SCM page J1.

DB 94-0107 Plot 24L

Chg	Amendment -	Des	J.I.S.	SOUTH AUSTRALIAN WATER CORPORATION 	SEWER CONSTRUCTION MANUAL PAGE J2 GENERAL ARRANGEMENT OF DN 300 INDUCT VENTS OFF TRUNK SEWERS	Not to Scale  94-0168-02	
Drn		Drn	C.S.				R.M.Jones
Ckd		Exm					Executive Manager 17/1 / 96
Unit Ldr.	UPDATED 15-1-96	Unit Ldr.					ENGINEERING GROUP
© This drawing is the property of the South Australian Water Corporation and shall not be copied without permission.							