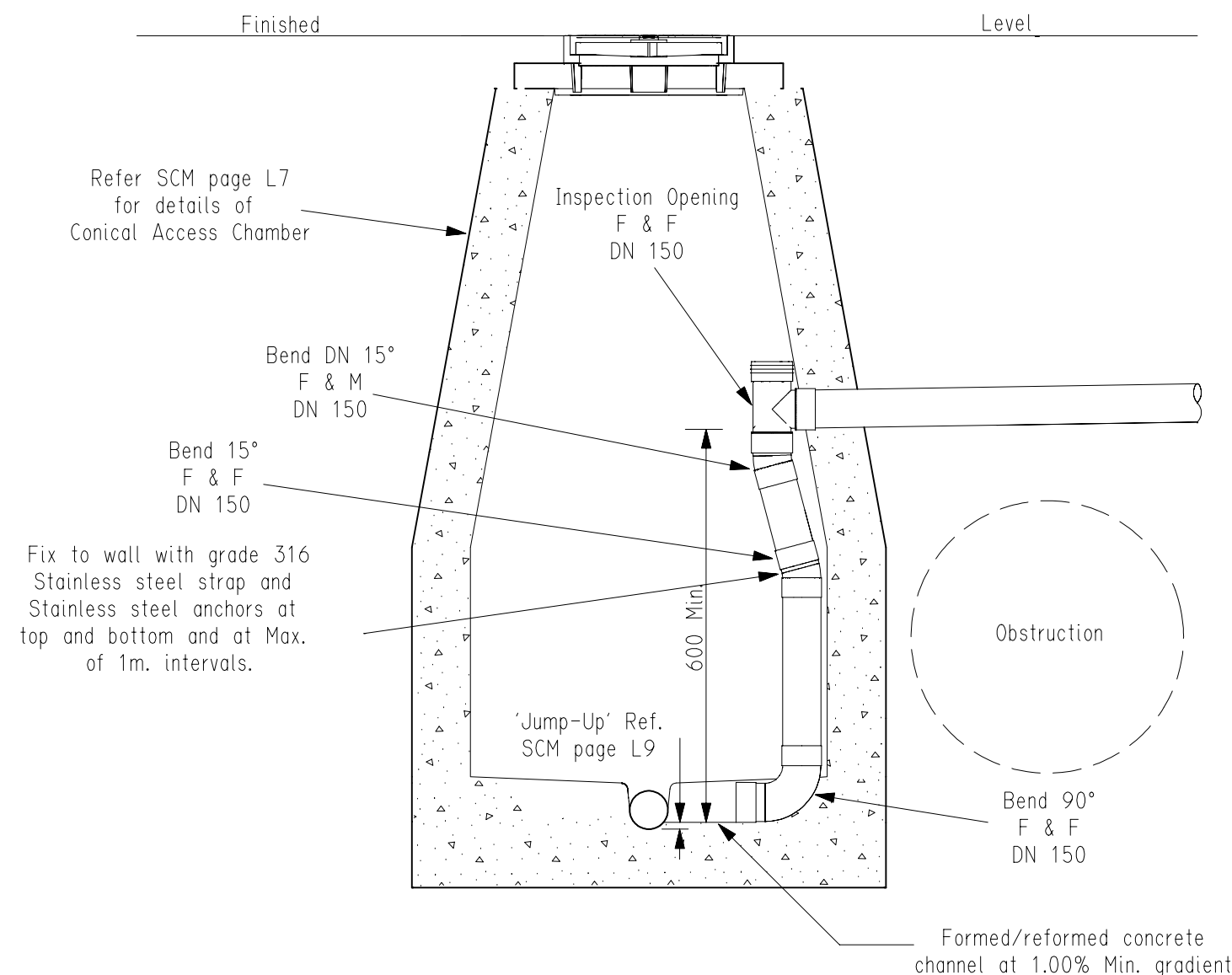
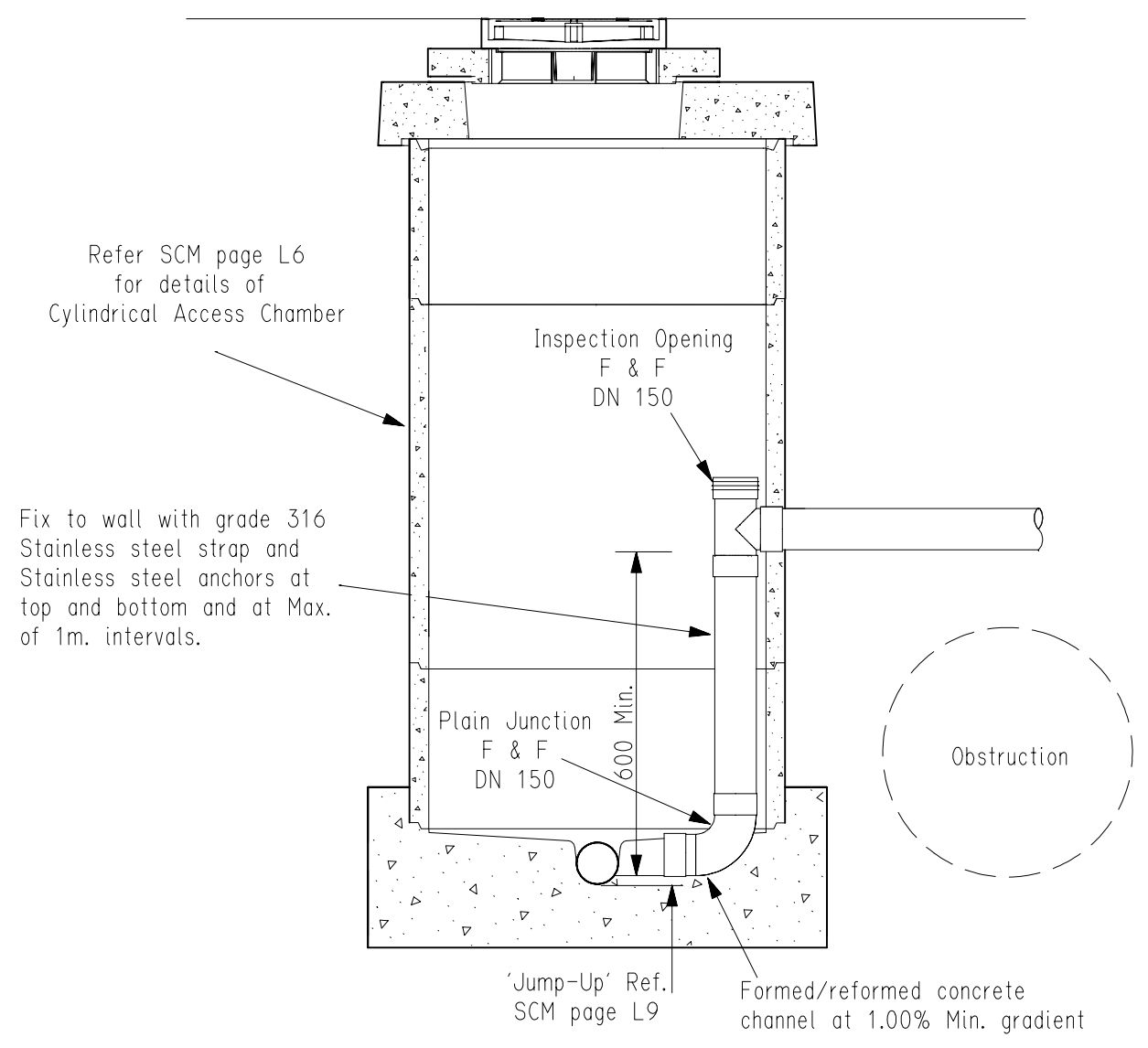


94-0167-12

ISSUED 6 Jan 97



CONICAL ACCESS CHAMBER



CYLINDRICAL ACCESS CHAMBER

NOTES:

1. To be used only when external jump up (Ref. SCM page L11) can not be achieved. (Maximum of 2 per chamber)
2. 'BUILDING-IN' OF PIPEWORK
 - * For poured insitu structures the 'PREPARATION OF STUB' shall be similar to that detailed on SCM page K12.
 - * For existing or pre-cast structures, the 'CORED HOLE' 'PREPARATION OF STUB' and 'INSTALLATION OF STUB' shall be similar to that as detailed on SCM page K12.

Only "AUTHORISED" items shall be used in the Sewer System.

- Refer SCM page L1 for details of:
- * PREPARATION OF FLOOR OF EXCAVATIONS
 - * SEWER EMBEDMENT AND TRENCH FILL
 - * BACKFILL AND REINSTATEMENT FOR ACCESS CHAMBERS
 - * CONCRETE

BD 94-0167 Plot L7-J-U

Chg	Amendment - 14-6-96	Des	JIS		R.M.Jones Executive Manager 14 / 6 / 96 ENGINEERING GROUP
Drn		Drn	C.S.		
Ckd		Exm			
Unit Ldr.		Unit Ldr.			

SOUTH AUSTRALIAN WATER CORPORATION

**SEWER CONSTRUCTION MANUAL PAGE L12
ACCESS CHAMBER WITH DN 150 UPVC
INTERNAL SEWER JUMP UP**

Not to Scale

© This drawing is the property of the South Australian Water Corporation and shall not be copied without permission.

94-0167-12