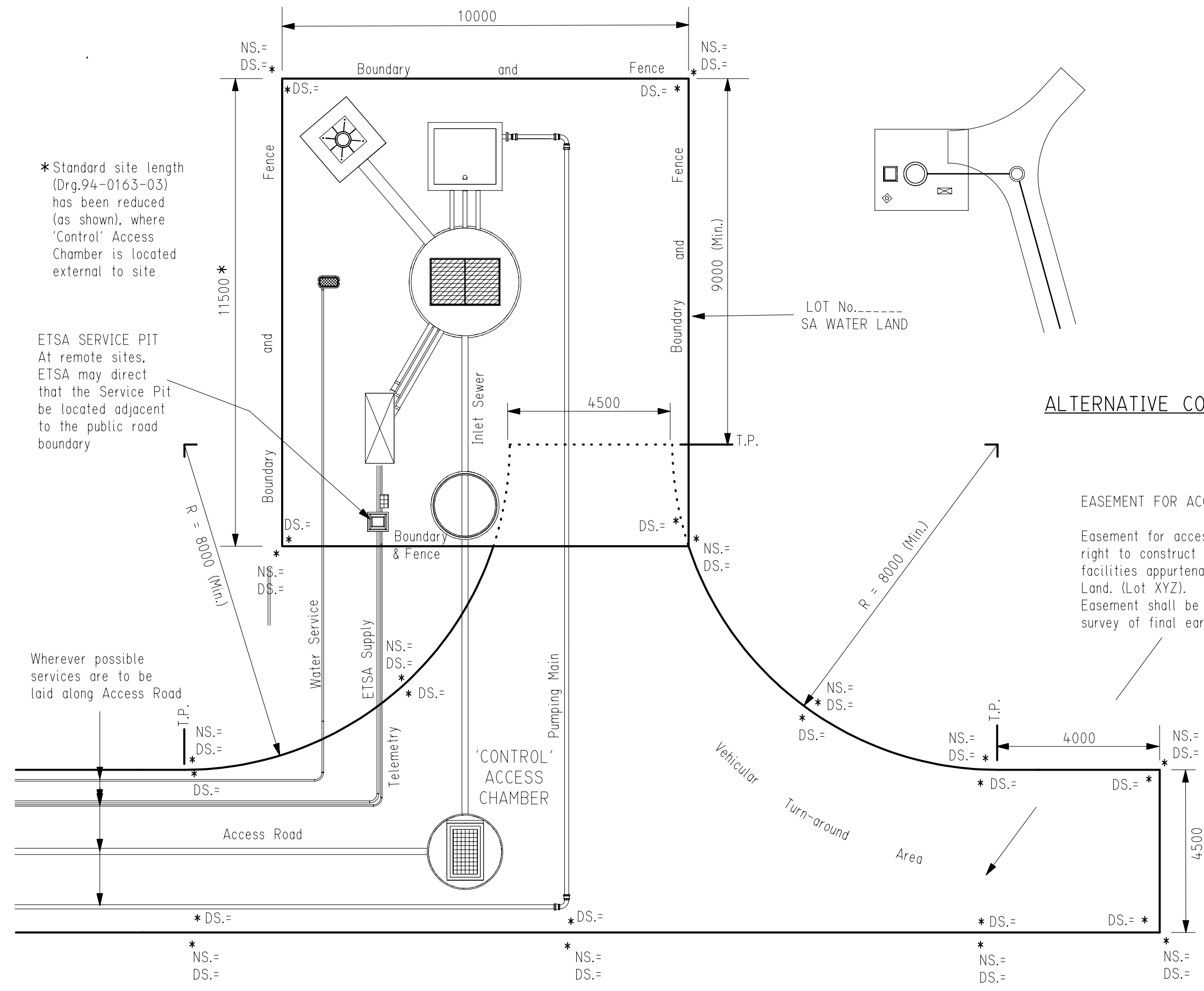


94-0163-06

ISSUED 6 Jan 97



* Standard site length (Drg.94-0163-03) has been reduced (as shown), where 'Control' Access Chamber is located external to site

ETSA SERVICE PIT
At remote sites, ETSA may direct that the Service Pit be located adjacent to the public road boundary

Wherever possible services are to be laid along Access Road

ALTERNATIVE CONFIGURATIONS

EASEMENT FOR ACCESS ROAD.
Easement for access road and the right to construct and maintain all facilities appurtenant to the SA WATER Land. (Lot XYZ).
Easement shall be subject to survey of final earthworks.

REFERENCES

1. SITE GRADIENTS
Refer to details on SCM page M5.
2. ACCESS ROADWAYS
Refer to SCM page M12 for access roadway design criteria; (width, camber, curve radii, longitudinal gradients, transition curves, cut/fill batters etc).

LEGEND:

NS = Natural Surface Level
DS = Design Surface Level
TP = Tangent Point

Chg	Amendment - UPDATED 5-6-96	Des	JIS	R.M.Jones Chief Engineer 14 / 6 / 96 ENGINEERING & PROJECTS GROUP
Drn		Drn	CLS	
Ckd		Exm		
Unit Ldr.		Unit Ldr.		

SOUTH AUSTRALIAN WATER CORPORATION

SEWER CONSTRUCTION MANUAL PAGE M6
STANDARD SUBMERSIBLE SEWAGE PUMPING STN.
- SITE ARRANGEMENT AND ACCESS ROAD
WHERE STATION DOES NOT ABUT
A PUBLIC ROAD

Not to Scale
94-0163-06

© This drawing is the property of the South Australian Water Corporation and shall not be copied without permission.

DB 94-0163 Plot 02a