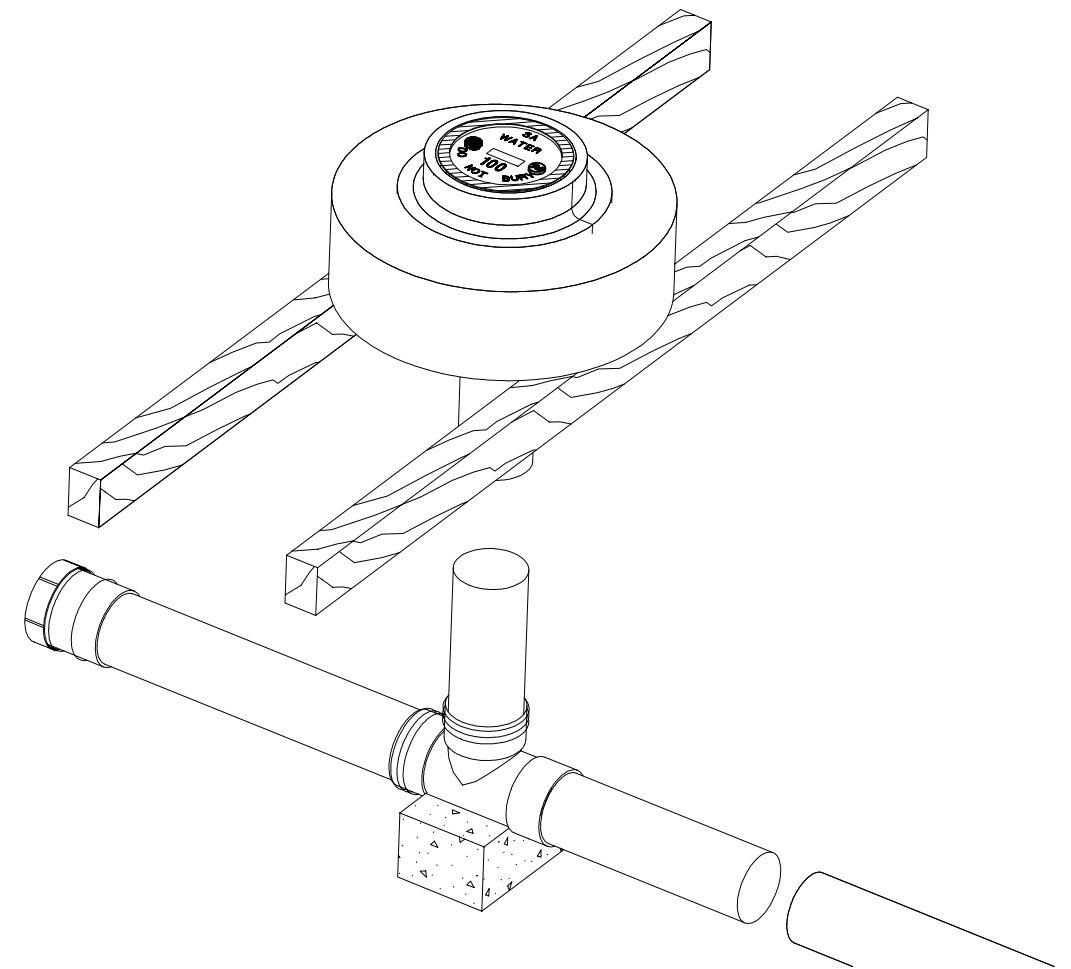


Embedment and Trench Fill to be similar to that for a DN 150 UPVC sewer, as detailed in SCM Section 'G'.



Only "AUTHORISED" items shall be used in the Sewer System.

PIPE MATERIALS

Details on this drawing are applicable to connections using:-
 * approved UPVC plain wall pipes with solvent cement joints, and
 * approved UPVC ribbed pipes fitted with dual rubber rings at each joint.

Chg	A	Amendment -	13-6-96	Des	J.I.S.	Amendment Authorisation R.M.Jones Executive Manager 14/ 6 / 96 ENGINEERING GROUP
Drn	C.S.			Drn	C.S.	
Ckd		Title Block amended		Exm		
Unit Ldr.				Unit Ldr.		

SOUTH AUSTRALIAN WATER CORPORATION

**SEWER CONSTRUCTION MANUAL PAGE K2
DN 100 & 150 UPVC CONNECTIONS
INSPECTION POINT DETAILS**

Not to Scale

© This drawing is the property of the South Australian Water Corporation and shall not be copied without permission.